

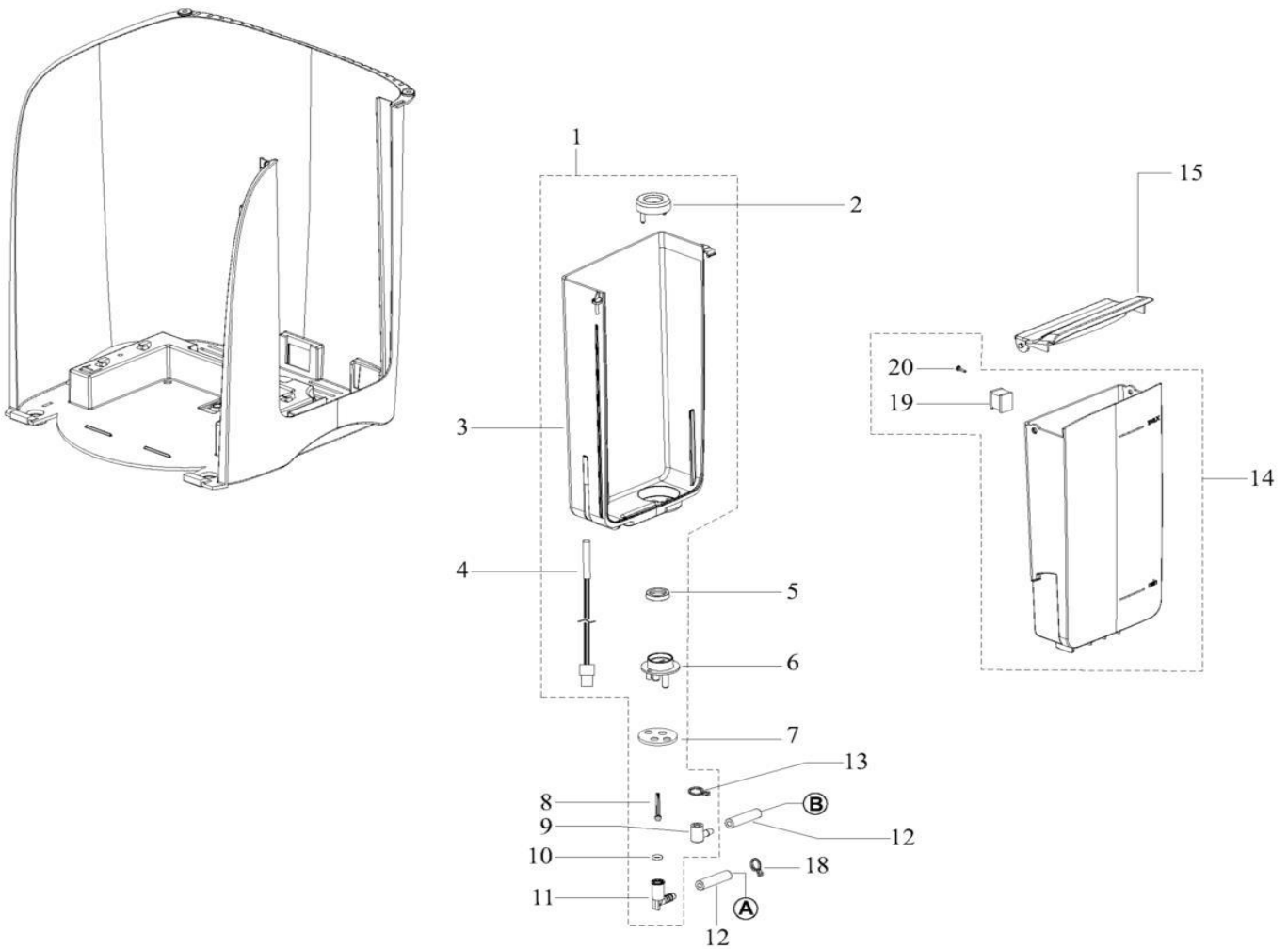


**ROTARY "CAPS" NO VAPORE. CHIP CARD -  
230V 50HZ**

- 1 Bodywork
- 2 Hydraulic group (WATER TANK)
- 3 Hydraulic Group
- 4 Hydraulic Group
- 5 Functional group
- 6 Functional group
- 7 Cock and microswitch
- 8 Electric Group
- 9 Electric Group (chip card version)
- 10 Packaging

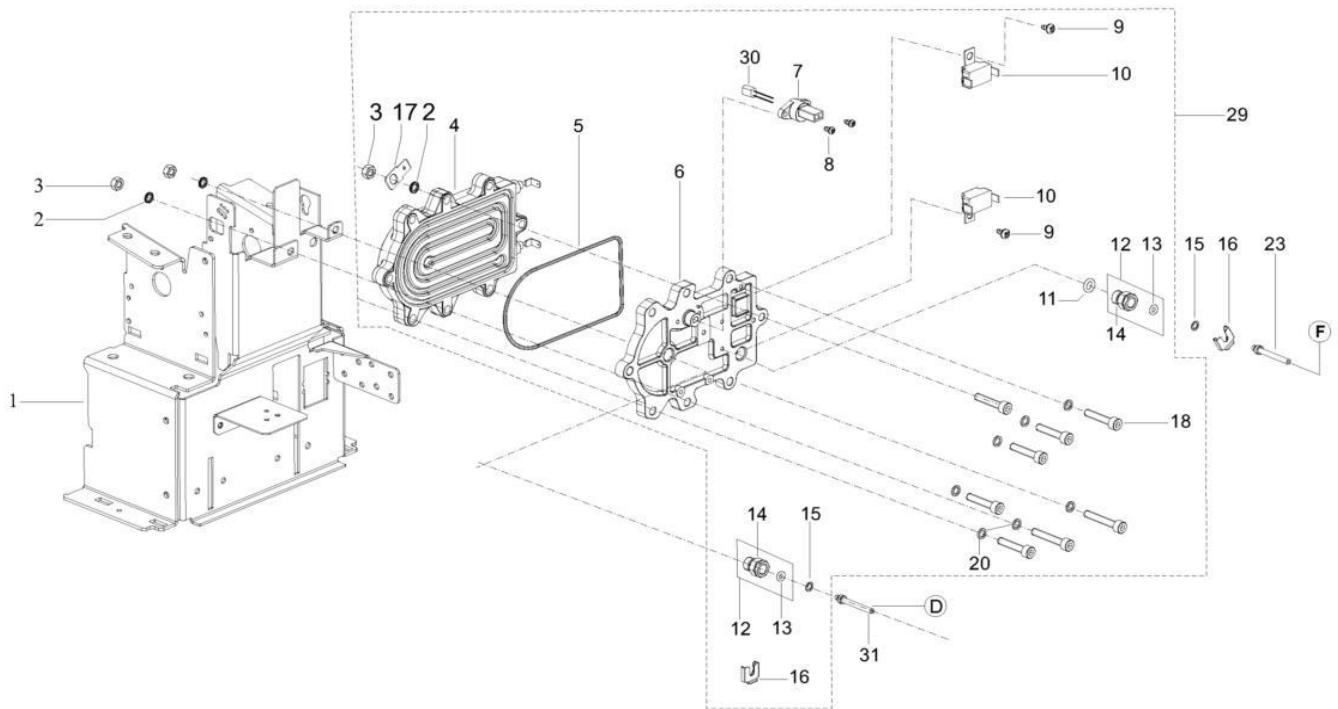


## Hydraulic group (WATER TANK)



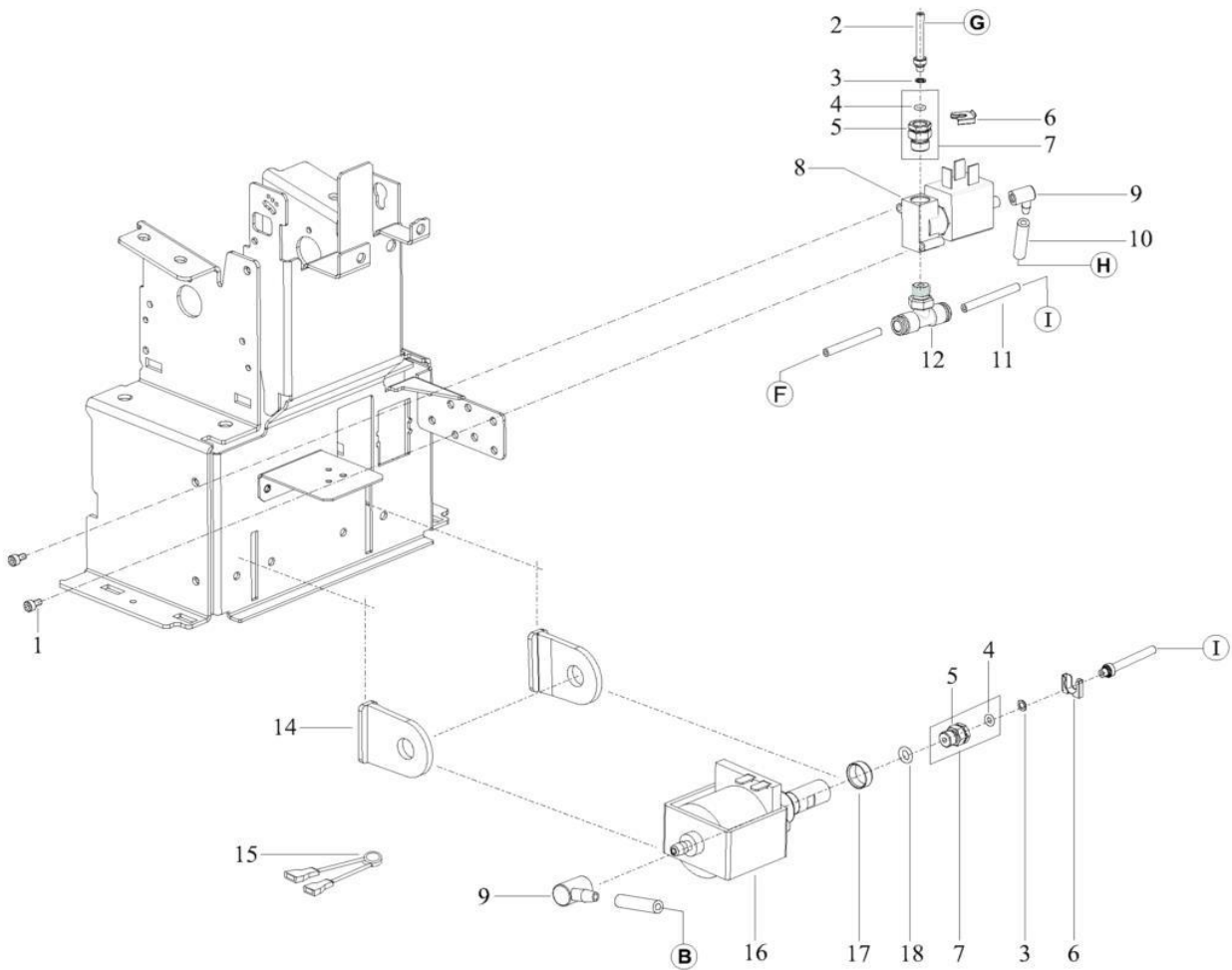
0001	501933	ASSEMBLED TANK CONVEYOR
0002	500807	COVER * TANK VALVE
0003	501930	BASE-TANK CONVEYOR
0004	501932	SENSOR
0005	500808	TANK GASKET DI-062
0006	502246	VALVE BASE
0007	500812	TANK VALVE GASKET
0008	500815	DUMP VALVE PIN
0009	500371	BEND
0010	500813	O RING M0080-10 8*1 NBR
0011	502247	DISCHARGE VALVE
0012	503280	TUBO SILICONE4X8 PLAT(1 MT)
0013	500372	CLIP
0014	502706	TANK + FILTER
0015	502025	COVER FOR WATER TANK, BLACK
0018	500961	HOSE CLIP
0019	500227	FLOATER
0020	500228	CLIP

## Hydraulic Group



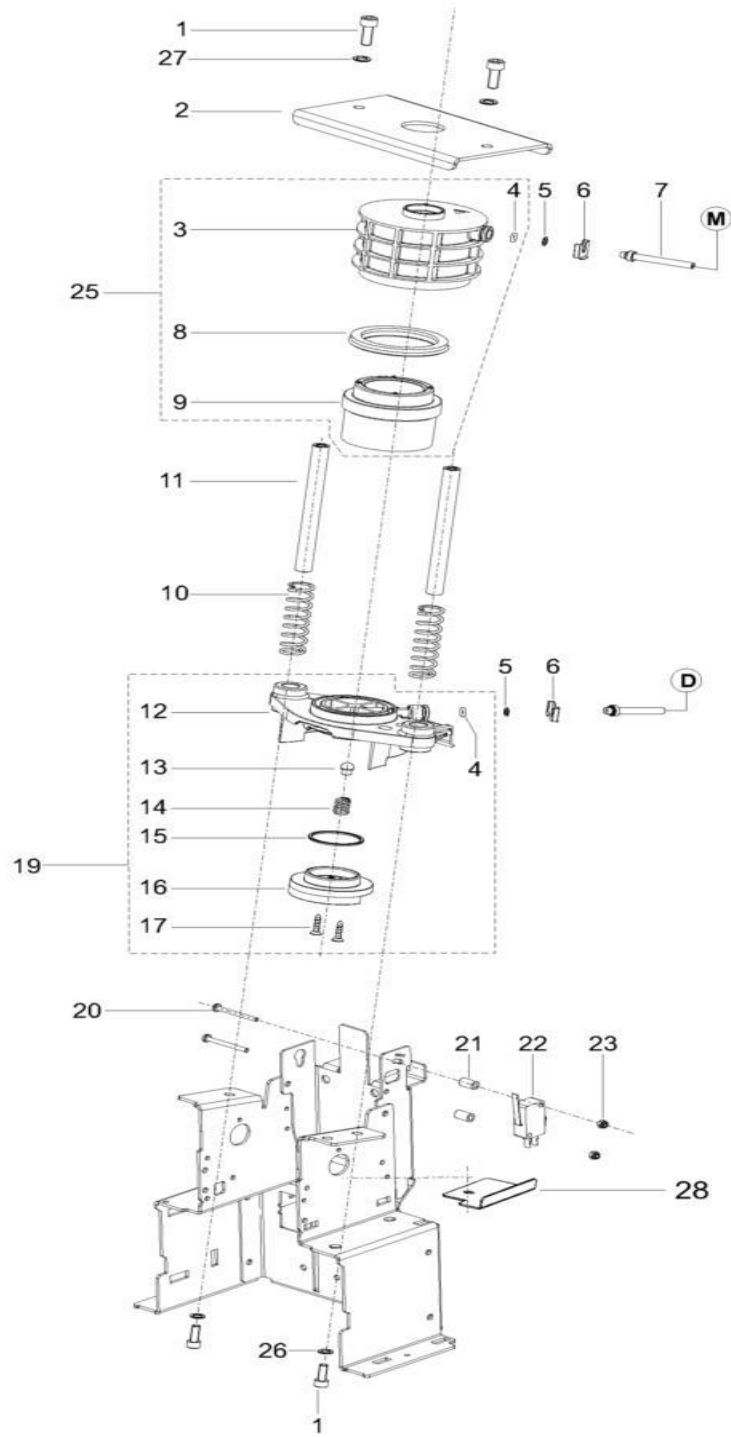
0001	502011	FRAME
0002	500059	TOOTHED WASHER /5
0003	501600	NUT M5
0004	502008	RESISTOR BOILER 230V 1000W
0005	502010	SHAPED GASKETVITON
0006	502009	TOP BOILER PLATE
0007	502032	SENSOR SUPPORT
0008	500128	SELF-TAPPING SCREW 2.9X9.5
0009	500408	SELF-TAPPING SCREW 3.5X6,5
0010	502730	SAFETY THERMAL FUSE 160° C
0011	500157	OR 2025 VITON
0012	500077	STRAIGHT UNION +OR
0013	500073	OR 2015 VITON
0014	501140	1/8 GAS STRAIGHT CONNECTION
0015	500031	WASHER 4.2X6.8X0,5
0016	500064	SPRING FOR FAST COUPLING
0017	500060	FASTON STRAIGHT 6.3X0.8
0018	502189	SCREW M5X30
0020	502004	SPRING WASHER ø5
0023	502147	TEFLON HOSE L=240 mm 4X2
0029	502082	COFFEE BOILER, ASSEMBLED 230V
0030	502033	TEMPERATURE SENSOR
0031	501964	TEFLON HOSE L=190mm d.4X2

## Hydraulic Group



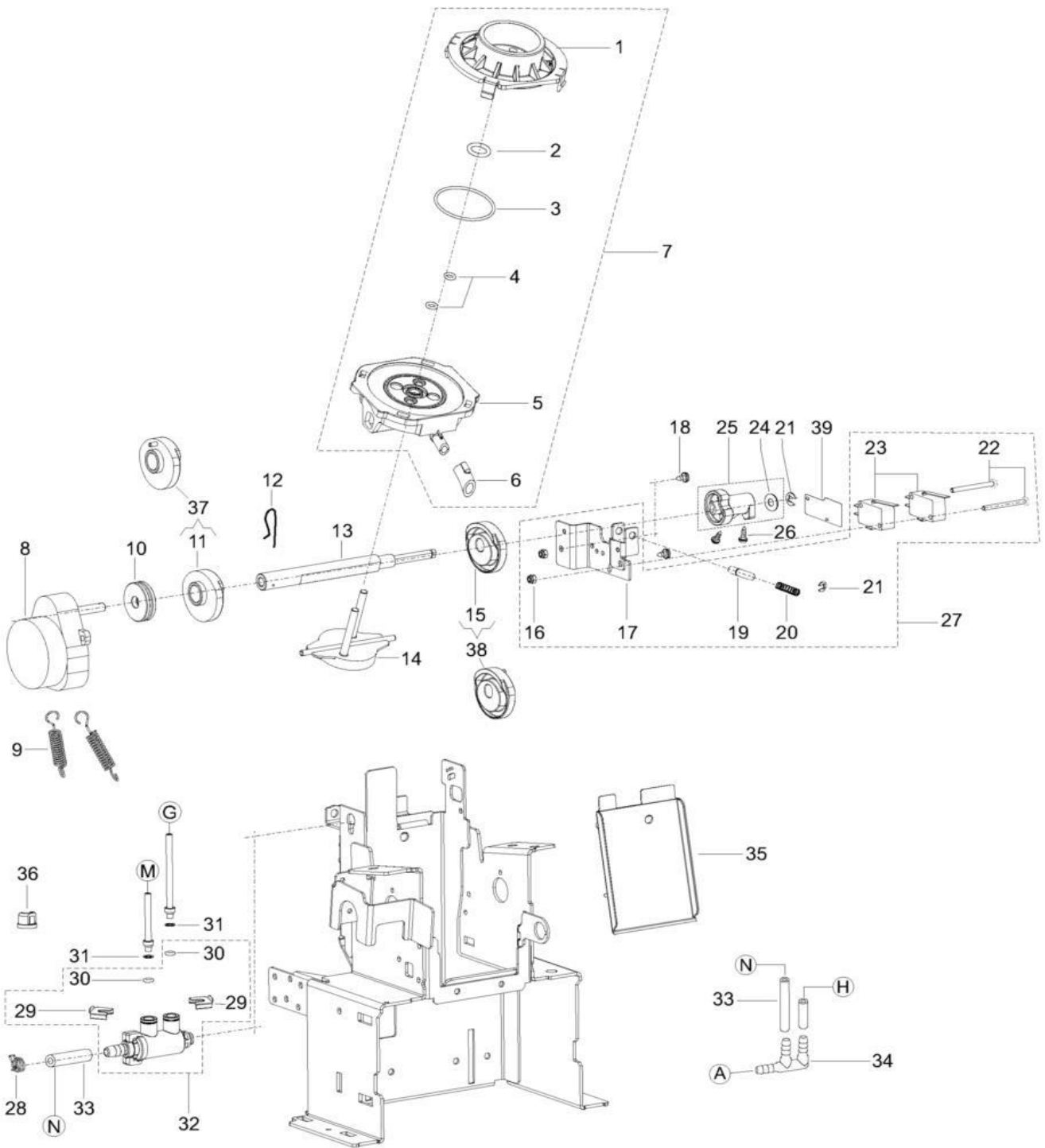
0001	500766	SCREW M3X6
0002	501575	TEFLON HOSE L=220mm
0003	500031	WASHER 4.2X6.8X0,5
0004	500073	OR 2015 VITON
0005	501140	1/8 GAS STRAIGHT CONNECTION
0006	500064	SPRING FOR FAST COUPLING
0007	500077	STRAIGHT UNION +OR
0008	500376	SOLENOID VALVE, 3-WAY 230V 50HZ
0009	500371	BEND
0011	501906	TEFLON HOSE L=100mm 4X2 NEW
0012	502003	RAPID WASTE OUTLET UNION TEE
0014	501998	PUMP SUPPORT BEND
0015	500328	THERMAL PROTECTOR T-120
0016	500161	PUMP 230V-50Hz GW
0017	500080	BUSHING
0018	500062	OR 2021 VITON

# Functional group



0001	502122	SCREW M6X16
0002	501959	BOTTOM BRACKET
0003	501961	TOP HYDRAULIC CYLINDER
0004	500073	OR 2015 VITON
0005	500031	WASHER 4.2X6.8X0,5
0006	500064	SPRING FOR FAST COUPLING
0007	501960	TEFLON HOSE L=100mm 4X2
0008	501034	LIP SEAL EPDM70
0009	501962	PISTON
0010	501966	SPRING H=55 mm
0011	501965	COLUMN
0012	501963	UPPER CAPS/POD SUPPORT, GUIDED
0013	500003	PERFORATOR VALVELET
0014	501970	SPRING H=14 mm
0015	500461	OR 4106 SILICONE
0016	502145	UPPER CAPSULE HOLDER
0017	501968	SELF-TAPPING SCREW 3,5X13 INOX
0019	502146	UPPER CAPS/POD SUPPORT, ASSEMBLED
0020	500681	SCREW M3X30
0021	501972	SPACER L=9,5 mm
0022	501974	MICROSWITCH
0023	500091	SELF-LOCKING NUT M3
0025	502026	CYLINDER+ASSEMBLED PISTON
0026	502027	WASHER 6,4x18x1,5
0027	502057	WASHER 6X24
0028	502512	BRACKET FOR MICRO DEVICE PROTECTION

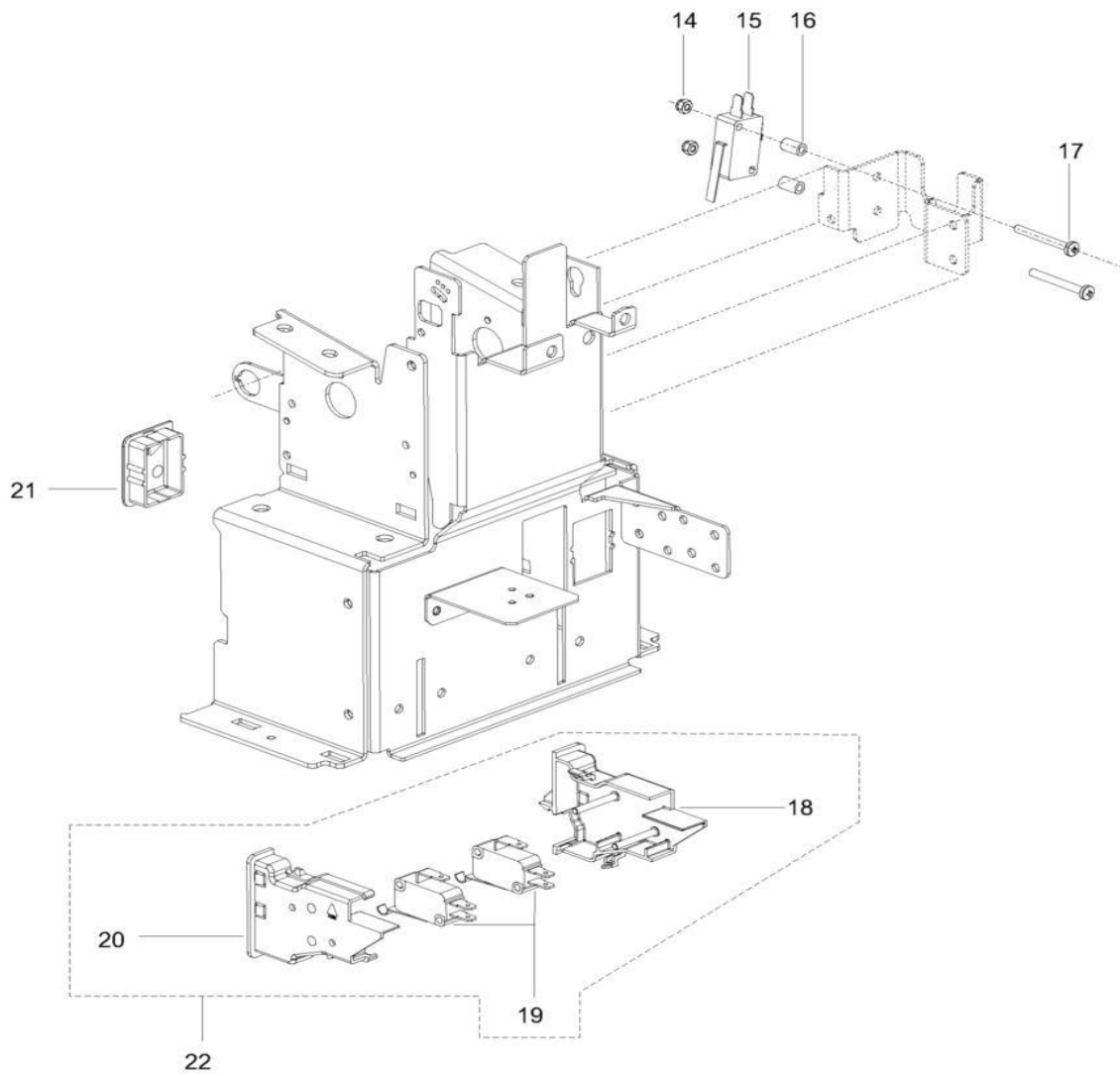
# Functional group





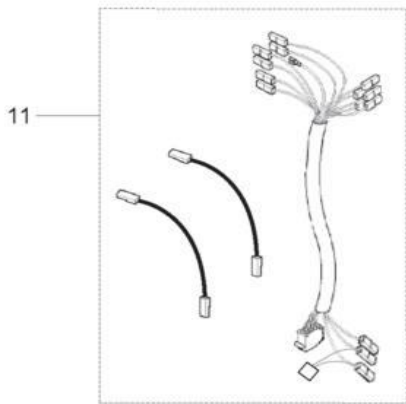
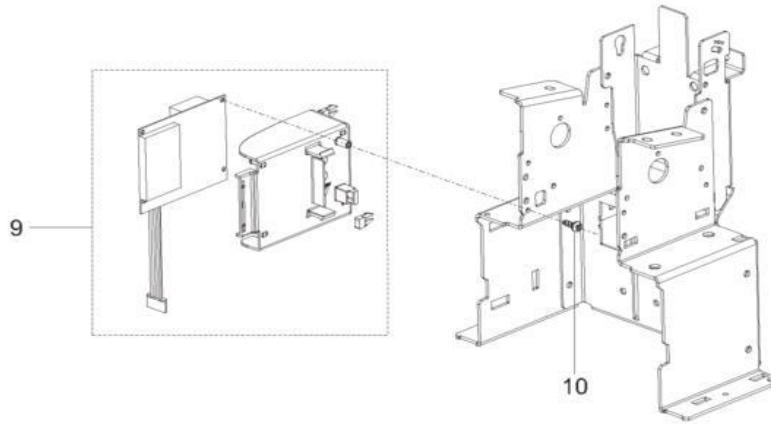
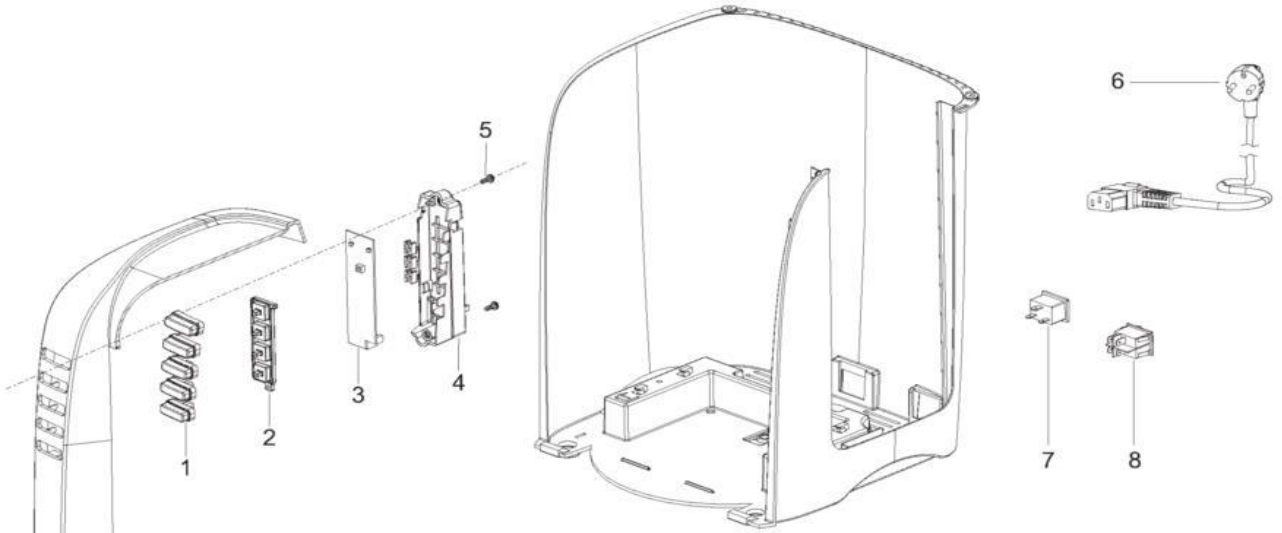
0001	501985	LOWER CAPSULE HOLDER
0002	501988	OR 3040 SILICONE
0003	501989	OR 2150 SILICONE
0004	501766	OR 2018 VITON
0005	501986	SUPPORT FOR ROTATING CAPSULE SUPPORT
0006	501990	DISPENSING SPOUT
0007	501991	ROTATING CAPSULE SUPPORT, ASSEMBLED
0008	501981	REDUCTION GEAR 230V 50Hz
0009	501982	SPRING
0010	501984	MOTOR CENTERING BUSHING
0011	501992	CAM BUSHING, REDUCTION GEAR SIDE
0012	501983	SPLIT PIN
0013	501987	REDUCTION GEAR SHAFT
0014	501994	EXTRACTOR
0015	501993	CAM BUSHING, MICROSWITCH SIDE
0016	500091	SELF-LOCKING NUT M3
0017	501975	MICRO SUPPORT BRACKET
0018	500408	SELF-TAPPING SCREW 3.5X6,5
0019	501976	PIN
0020	501977	SPRING H=22 mm
0021	501442	SEEGER-RING
0022	500681	SCREW M3X30
0023	501974	MICROSWITCH
0024	500314	WASHER 6,4X13X0,5
0025	501979	CAPSULE MICRO CAM
0026	500128	SELF-TAPPING SCREW 2.9X9.5
0027	501978	MICRO SUPPORT BRACKET, ASSEMBLED (CAPS/POD SUPPORT ROTATION) HOSE CLIP
0028	500961	
0029	500064	SPRING FOR FAST COUPLING
0030	500073	OR 2015 VITON
0031	500031	WASHER 4.2X6.8X0,5
0032	502002	RAPID WASTE OUTLET
0033	503280	TUBO SILICONE4X8 PLAT(1 MT)
0034	502001	3-WAY UNION
0035	502029	CASING
0036	500492	CAP
0037	502069	CAM BUSHING, REDUCTION GEAR SIDE
0038	502070	CAM BUSHING, MICROSWITCH SIDE
0039	500094	INSULATOR

## Cock and microswitch



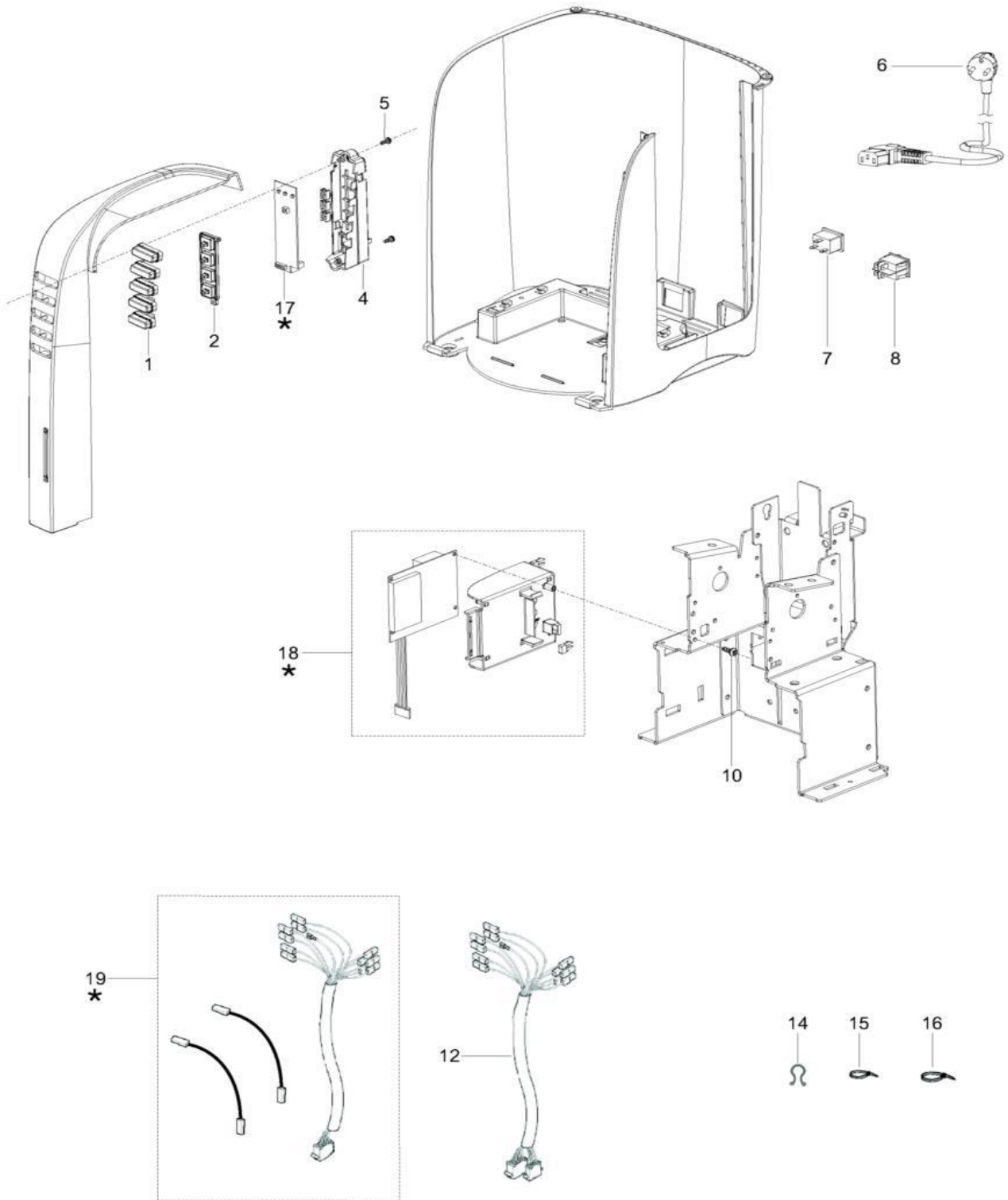
0014	500091	SELF-LOCKING NUT M3
0015	500273	MICROSWITCH GW
0016	502014	SPACER H=6,4
0017	500636	SCREW M3X25
0018	501995	RH GUARD MICRO
0019	501997	MICROSWITCH
0020	501996	LH GUARD MICRO
0021	502007	CAP
0022	502028	DRAWER MICROSWITCH, ASSEMBLED

# Electric Group



0001	501926	ROTARY KEYS NO STEAM BASE
0002	501923	BUTTON MEMBRANE
0003	502019	ELECTRONIC CARD, BASE BUTTON PAD
0004	501921	BUTTON PAD HOLDER
0005	500277	SELF-TAPPING SCREW 3.9X9.5
0006	500258	POWER SUPPLY CABLE 230V
0007	500261	CONNECTOR
0008	500593	MAIN SWITCH
0009	502022	ELECTRONIC CARD, BASE CAPS. 230V + SUPPORT
0010	500242	SELF-TAPPING SCREW 3.5X9.5
0011	502143	ELECTRIC SYSTEM 230V NO STEAM BASE
0012	501929	ELECTRIC SYSTEM, AUXILIARY SIGNALS
0014	500192	WIRE GLAND
0015	500648	CLIP L=95
0016	502015	CLIP L=135
0017	502021	ELECTRONIC CARD, BASE CHIP CARD BUTTON PAD
0018	502344	ELECTRONIC CARD, CAPS.LUX NO STEAM C.CARD 230V + SUPPORT
0019	502345	ELECTRIC SYSTEM 230V NO STEAM LUX

# Electric Group (chip card version)



0001	501926	ROTARY KEYS NO STEAM BASE
0002	501923	BUTTON MEMBRANE
0003	502019	ELECTRONIC CARD, BASE BUTTON PAD
0004	501921	BUTTON PAD HOLDER
0005	500277	SELF-TAPPING SCREW 3.9X9.5
0006	500258	POWER SUPPLY CABLE 230V
0007	500261	CONNECTOR
0008	500593	MAIN SWITCH
0009	502022	ELECTRONIC CARD, BASE CAPS. 230V + SUPPORT
0010	500242	SELF-TAPPING SCREW 3.5X9.5
0011	502143	ELECTRIC SYSTEM 230V NO STEAM BASE
0012	501929	ELECTRIC SYSTEM, AUXILIARY SIGNALS
0014	500192	WIRE GLAND
0015	500648	CLIP L=95
0016	502015	CLIP L=135
0017	502021	ELECTRONIC CARD, BASE CHIP CARD BUTTON PAD
0018	502344	ELECTRONIC CARD, CAPS.LUX NO STEAM C.CARD 230V + SUPPORT
0019	502345	ELECTRIC SYSTEM 230V NO STEAM LUX

## Packaging



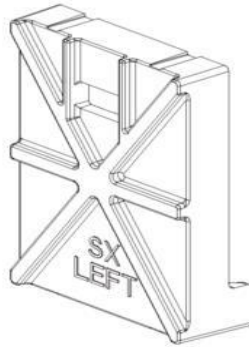
1



6



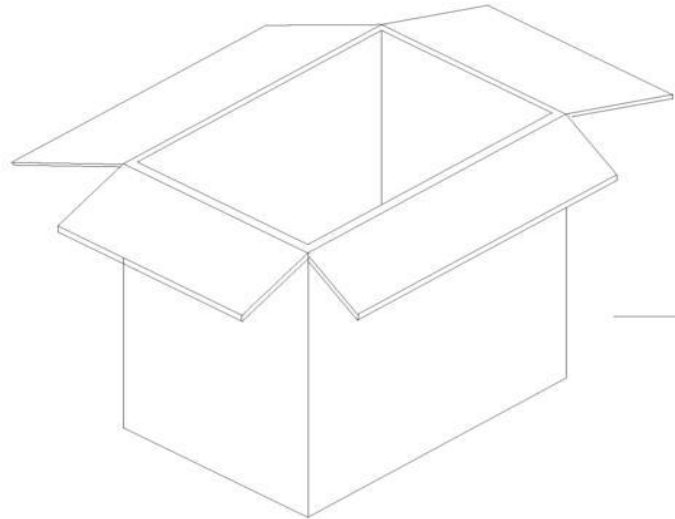
2



3



4



5



0001	501915	INSTRUCTION BOOKLET FOR CAPSULE	4,00
0002	502016	STICKER DOOR OPENING	0,50
0003	501049	POLYETHYLENE BAG 40X45X70	0,41
0004	502017	SHELL PACKAGING	8,00
0005	502018	PACKAGING BOX	4,30
0006	502511	STICKER	2,10