



DATE:
30/10/2015

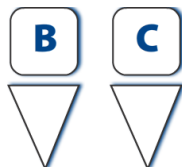
SPARE PARTS MANUAL

MATINÉE

LAVAZZA
ESPRESSO POINT

Tel. 0039.011.2398429
 Fax 0039.011.23980466
 technicalservice@lavazza.it
 http://ts.inlavazza.it

MATINÉE
 Codice macchina
 10080851



TAV: 5 - BOILER ASSEMBLY

REF.	PART NO.	DESCRIPTION	S.I.	UDV
	10061827	SUPPORT FOR BOILER		5
	1006188	SCREW 3.5X15		
	1006188	THERMOSTAT BOILER 230V ASSY ALUMINIUM		
	10061791	PIPE D.7,5X9,3 L=2 M SILICONE		
	10061115	PROTECTION FOR SPRING		10
	10061116	FITTING+PROTECTION ASSY L=185 MM		5
	10061114	HOSE CLAMP D.11/11,6		10
	10061113	THERMOSTAT 175° 1NT-15L-5126		20
	10061118	SCREW 4X8		50
LB 2300 SINGLE CUP 230V				14

- A) MACHINE MODEL:** Machine model.
- B) TABLE NUMBER:** Table identification number.
- C) TABLE TITLE:** Descriptive title of the table.
- D) REFERENCE:** reference number of the single items shown in the drawing.
- E) PART NO.:** Identification number of the item.
- F) DESCRIPTION:** item description.
- G) S.I.:** Service information regarding the relevant item.
- H) UDV (Required minimum quantity):** The required minimum quantity for each part. When the order is directly sent to Luigi Lavazza S.p.A. the quantity ordered must be equal or a multiple of the one indicated in the UDV column.



ATTENTION

Only original spare parts must be used. The manufacturer declines any responsibility arising from the use of unoriginal spare parts.



ENVIRONMENT

The replacement part should be delivered to the appropriate collection centres for disposal.

SPARE PARTS INDEX

Pag. 4: CASE

Pag. 8: ELECTRICAL COMPONENTS

Pag. 10: HEATING SECTION

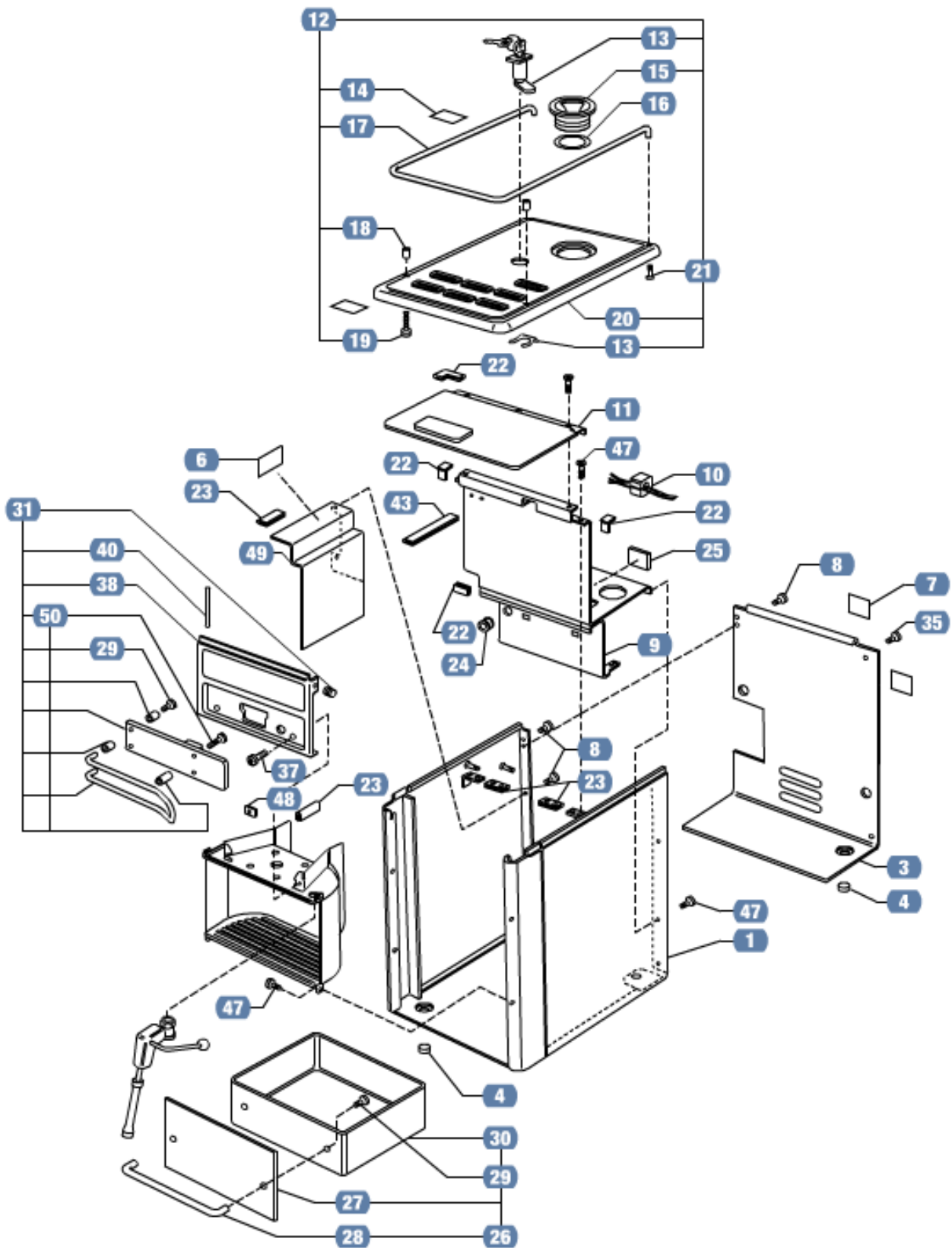
Pag. 12: HEATING SECTION (EASY C.)

Pag. 14: DISTRIBUTION SECTION

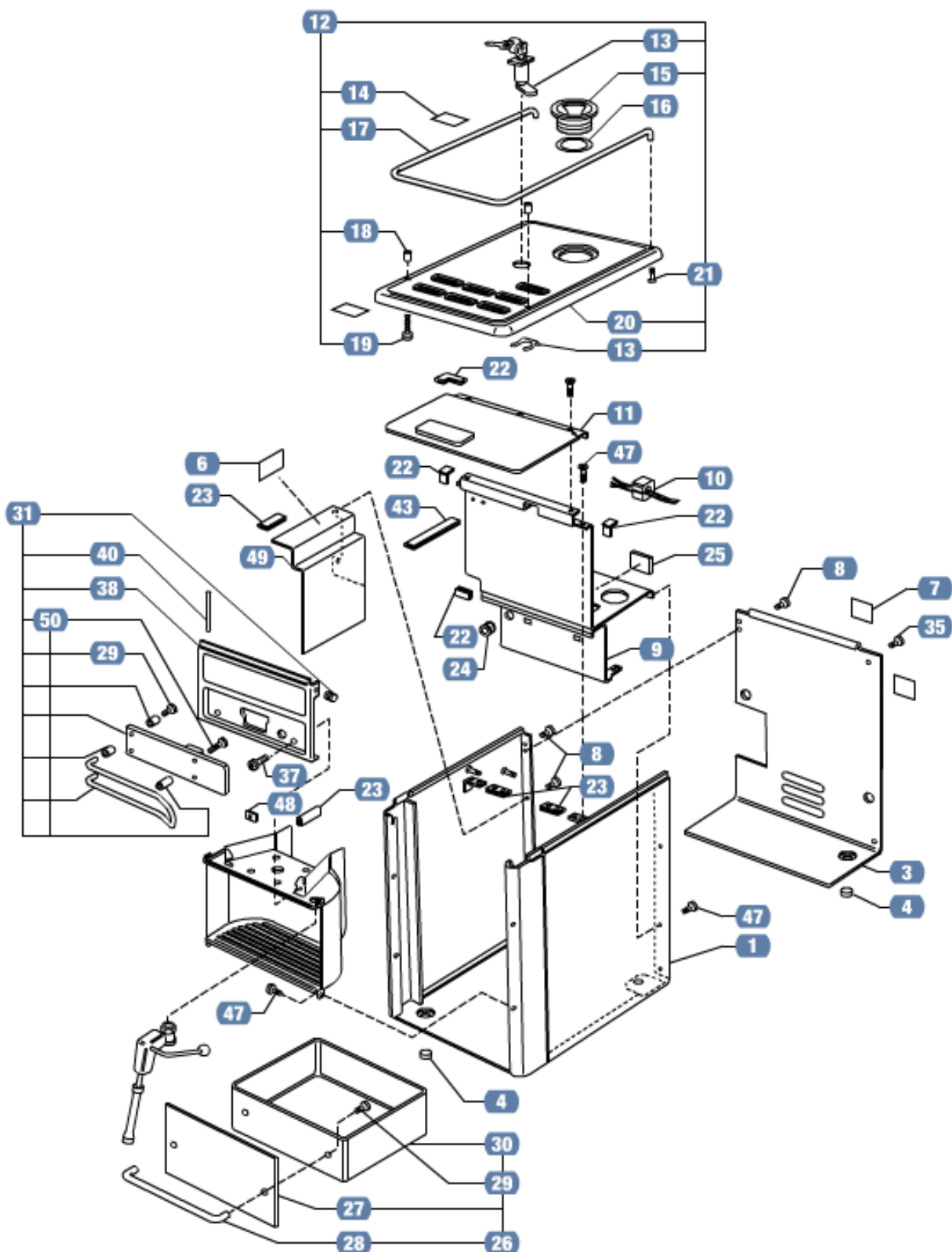
Pag. 16: TANK SECTION

Pag. 18: HYDRAULIC SECTION

REF.	PART NO.	DESCRIPTION	S.I.	MOQ
1	10087149	BODY ASSY		1
3	10087003	BACK BASE		5
4	10088075	FOOT - RUBBER		56
6	10085590	DECAL SPARE PART NO LONGER AVAILABLE AT LAVAZZA.		1
7	10085025	DECAL - GROUND SPARE PART NO LONGER AVAILABLE AT LAVAZZA.		50
8	10085106	SCREW SELF-TAPPING 3,9X6,5		50
9	10085248	INT.BULKHEAD		1
10	10085041	CABLE CLAMP		20
11	10085004	COVER FOR HEATING PLATE		5
12	10087151	COVER ASSY		1
13	10085088	LOCK		10
14	10085026	DECAL - DANGER SPARE PART NO LONGER AVAILABLE AT LAVAZZA.		20
15	10087168	CAP ASSY		5
16	10087160	O-RING		50
17	10087008	RAILING GOLD PL.		5
18	10087017	SPACER -GOLD		10
19	10087155	SCREW M4X20		100
20	10087177	COVER POLISHED		5
21	10085096	SCREW 4MX6		100
22	10087191	EDGE PROTECTION		50
23	10085267	EDGE PROTECTION		50
24	10087171	CABLE CLAMP D.14/19		50
25	10085224	ADHESIVE RUBBER AERSTOP 20X30X2		10
26	10087012	DRAWER ASSY		5
27	10087007	FRONT DRAWER		10
28	10087004	HANDLE FOR DRAWER GOLD		5
29	10085169	SCREW M4X10		25
30	10085192	DRAWER		5
31	10087198	FRONT PANEL		1
35	10085255	SCREW 3,9X6,5		200
37	10087088	SCREW 3,9 X 13		25
38	10085231	FRONT PANEL EP '95		5
40	10085014	PIN FOR FRONT PANEL SPARE PART NO LONGER AVAILABLE AT LAVAZZA.		50

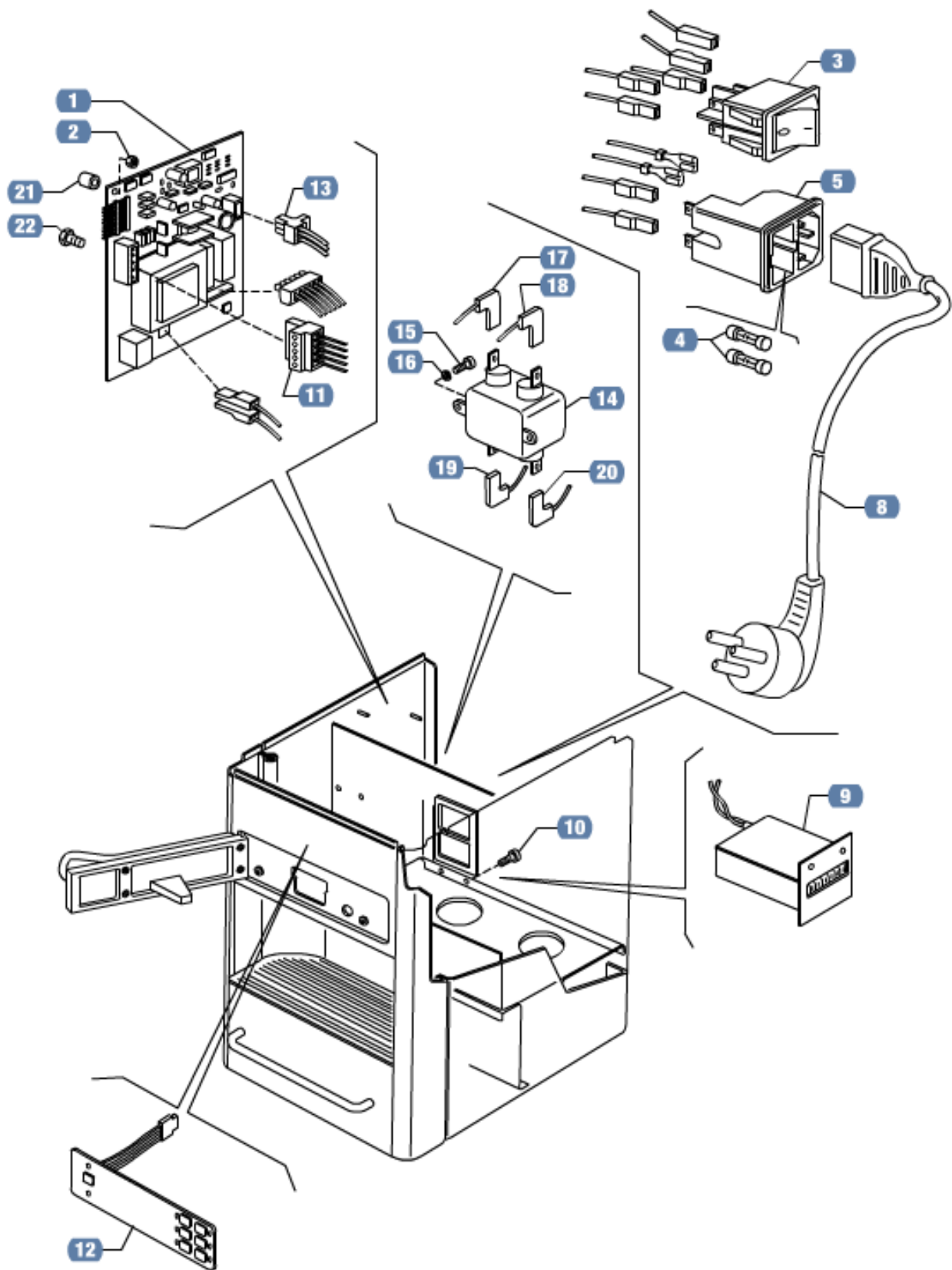


REF.	PART NO.	DESCRIPTION	S.I.	MOQ
43	10087193	EDGE PROTECTION SPARE PART NO LONGER AVAILABLE AT LAVAZZA.		50
47	10088066	SCREW PARKER 3,9 X 9,5		100
48	10085186	CLAMP SPARE PART NO LONGER AVAILABLE AT LAVAZZA.		50
49	10085230	COVER FOR ELECTR.BOARD		5
50	10087048	LEVER ASSY		5



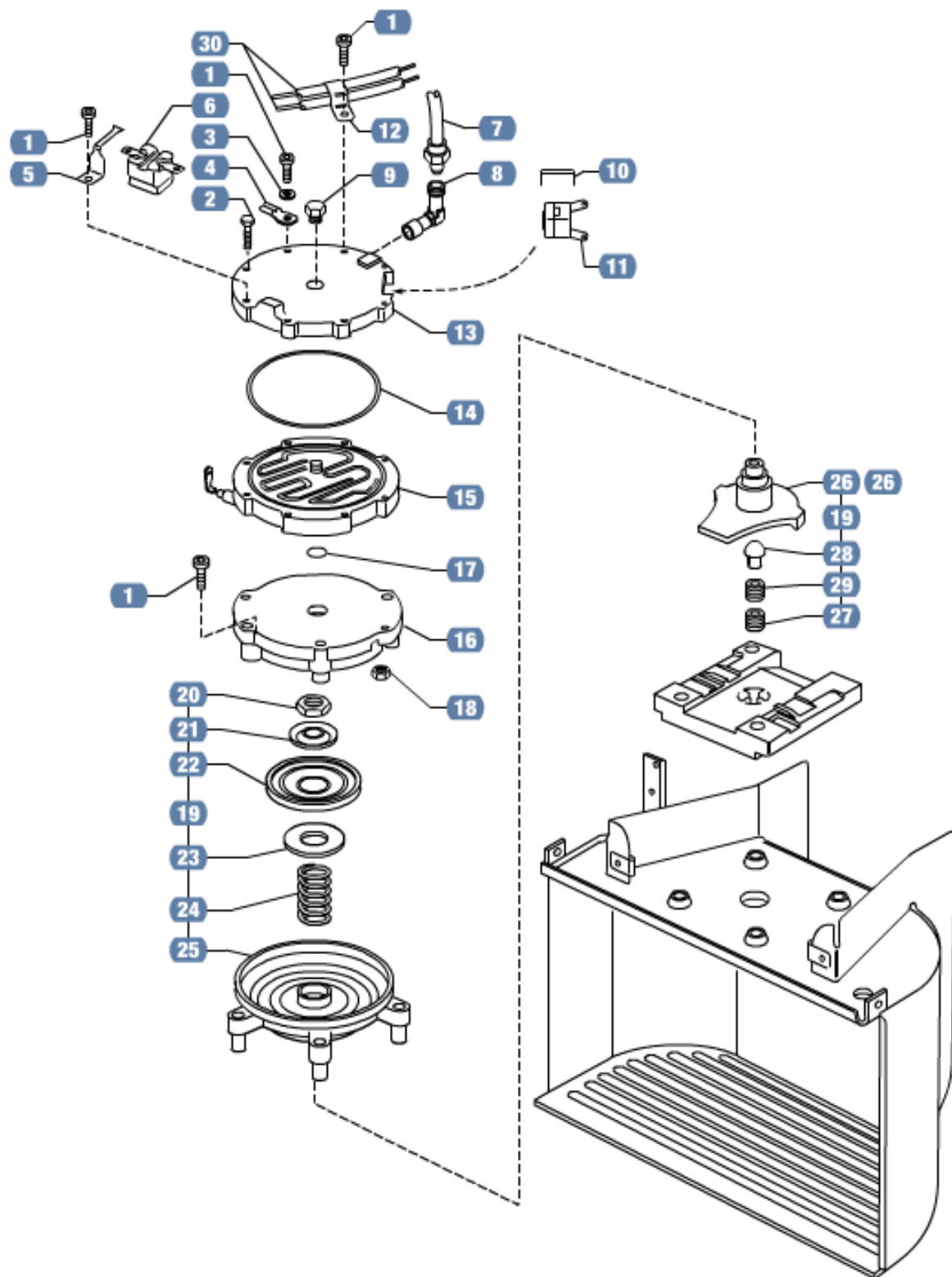
TAV: 2 - ELECTRICAL COMPONENTS

REF.	PART NO.	DESCRIPTION	S.I.	MOQ
1	10087195	EL. BOARD 220V MATINEE VER 2	072	1
2	10085462	LOCK NUT M3		50
3	10085221	BIPOLAR SWITCH 0/1		5
4	10085071	FUSE 5X20 6,3 A		50
5	10085219	PLUG+DOUBLE FUSE HOLDER		5
8	10086055	CABLE+CABLE CLAMP+"SCHUKO" PLUG		10
9	10087207	COUNTER 12V MATINEE		5
10	10085101	SCREW SELF-TAPPING 2,9X9,5		50
11	10087208	WIRING MATINEE 230V		5
12	10087176	ELECTR.KEYBOARD EP MATINEE		5
13	10087197	BRIDGE FOR DOSER 120/230V		5
14	10087199	NOISE FILTER 10 A SPARE PART NO LONGER AVAILABLE AT LAVAZZA.		5
15	10085255	SCREW 3,9X6,5		200
16	10085095	WASHER D.4 2		10
17	10085261	BRIDGE BROWN		50
18	10085260	BRIDGE AZURE		50
19	10085263	BRIDGE BROWN		50
20	10085262	BRIDGE AZURE		50
21	10079278	SPACER		50
22	10079013	SPACER SPARE PART NO LONGER AVAILABLE AT LAVAZZA.		50



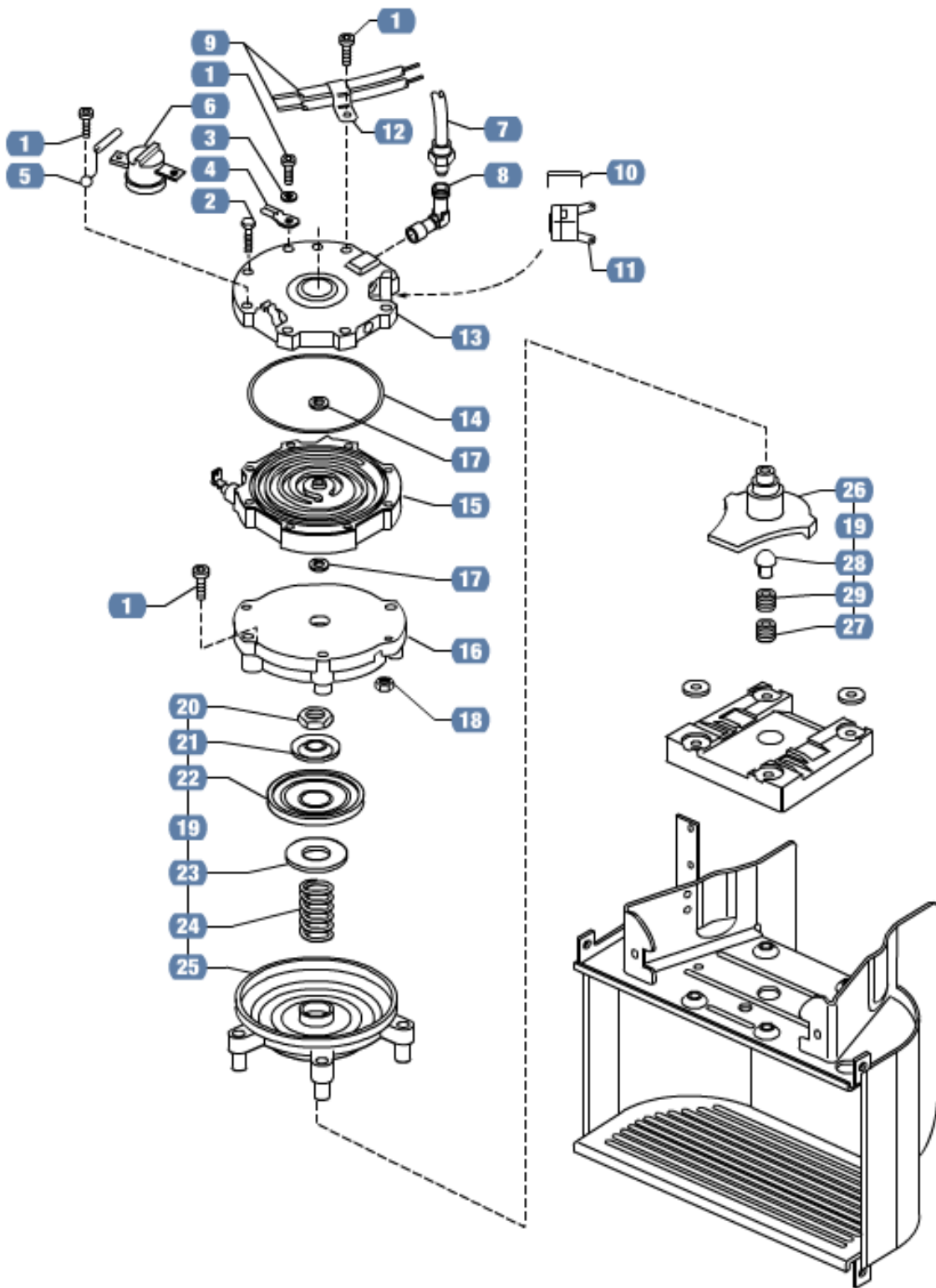
TAV: 3 - HEATING SECTION

REF.	PART NO.	DESCRIPTION	S.I.	MOQ
1	10088020	SCREW M5 X 25		50
2	10088103	SCREW M4X45		25
3	10085444	TOOTHED WASHER D.5 SS		50
4	10087019	FASTON MALE 6,3		100
5	10087020	SUPPORT FOR THERMOSTAT (100°)		50
6	10082867	THERMOSTAT 130°C 36TMH01 TOD		50
7	10087206	PIPE D.4X2 L=325 MM ASSY PTFE		10
8	10079108	FITTING - 90 DEG. M1/8G M8X1		10
9	10088110	RETAINING NUT		25
10	10088054	SPRING FOR THERMOSTAT		20
11	10088055	THERMOSTAT NN 104°C ELECTROVAC		10
12	10088109	SUPPORT FOR THERMAL FUSE		100
13	10088107	UPPER BOILER PLATE		5
14	10088106	O-RING SILICONE 79X2		25
15	10087190	BOILER 220V - 850W		5
16	10088104	FAP PRESSER COVER	015	5
17	10089028	O-RING 2025 SILICONE		50
18	10088049	HEXAGON NUT M5		25
19	10087089	CHAMBER ASSY EPV		5
20	10088102	NUT FOR CHAMBER		10
21	10085057	UPPER WASHER		25
22	10085043	MEMBRANE		25
23	10085053	LOWER WASHER		25
24	10085051	SPRING		10
25	10087022	BREWING CHAMBER		5
26	10088096	FAP PRESSER	113	10
26	10070801	FAP-PRESSER SINGLE DOSE REL.2	116	1
27	10085056	CAP FOR VALVE		25
28	10085037	VALVE FOR PISTON		50
29	10085048	SPRING FOR VALVE		25
30	10088111	THERMAL FUSE		50



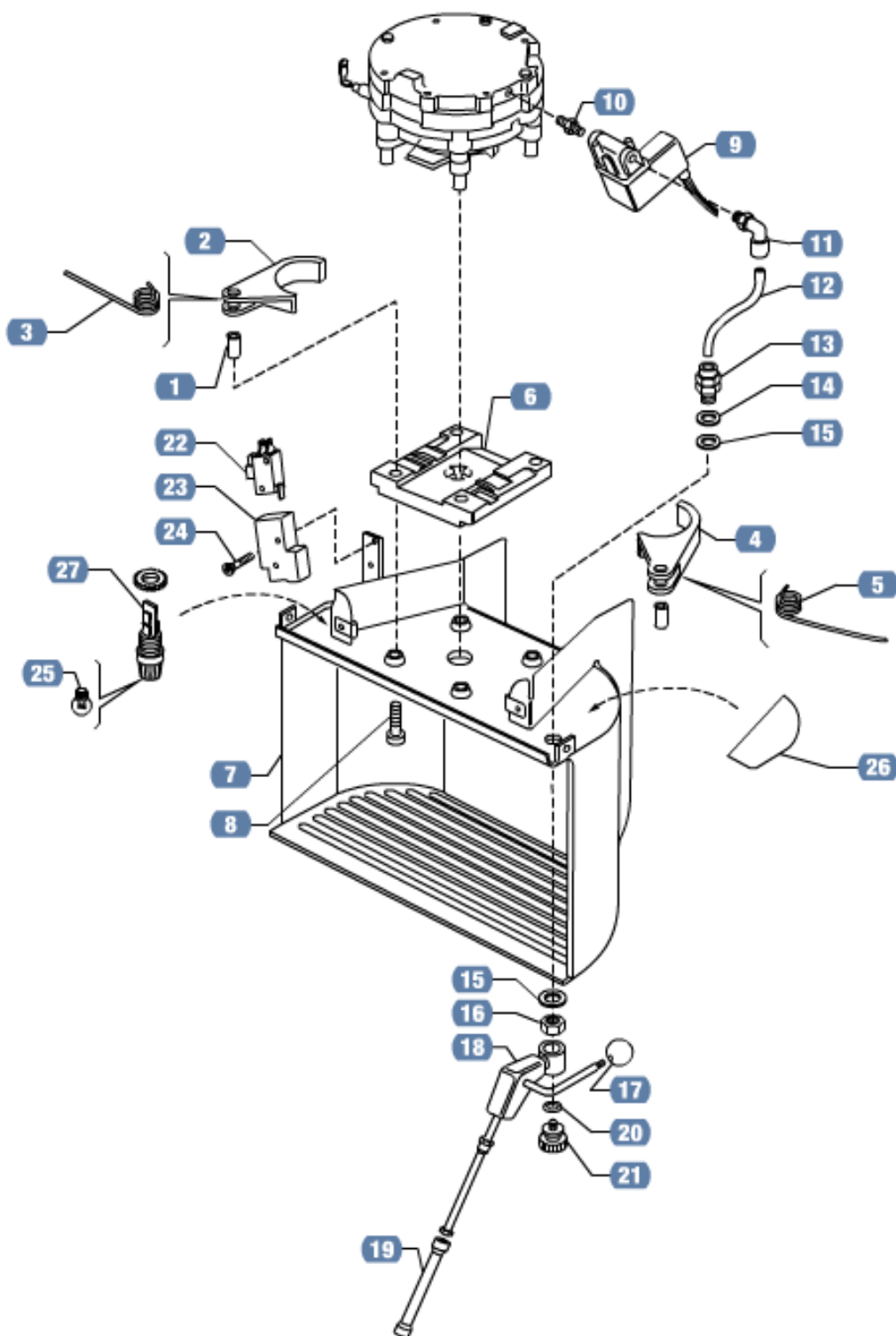
TAV: 3A - HEATING SECTION (EASY C.)

REF.	PART NO.	DESCRIPTION	S.I.	MOQ
1	10088020	SCREW M5 X 25		50
2	10088103	SCREW M4X45		25
3	10085444	TOOTHED WASHER D.5 SS		50
4	10087019	FASTON MALE 6,3		100
5	10079228	SUPPORT FOR THERMOSTAT 130°C		50
6	10079226	THERMOSTAT 130°C CAMPINI	010	10
7	10087206	PIPE D.4X2 L=325 MM ASSY PTFE		10
8	10087062	FITTING - 90 DEG.		10
9	10088111	THERMAL FUSE		50
10	10088143	SPRING FOR THERMOSTAT		20
11	10079225	THERMOSTAT 100°C CAMPINI	010	10
12	10088109	SUPPORT FOR THERMAL FUSE		100
13	10088149	UPPER PLATE EASYC	010	5
14	10088106	O-RING SILICONE 79X2		25
15	10088152	HEATING PLATE 230V 850W EASY C	010	5
16	10088151	FAP PRESSER COVER EASYCLEAN	010,015	5
17	10087027	O-RING 2031	010	25
18	10088049	HEXAGON NUT M5		25
19	10087063	STEAM CHAMBER ULS		5
20	10087065	NUT FOR FAP PRESSER		10
21	10085057	UPPER WASHER		25
22	10085043	MEMBRANE		25
23	10085053	LOWER WASHER		25
24	10085051	SPRING		10
25	10087022	BREWING CHAMBER		5
26	10087056	FAP PRESSER		10
27	10087064	CAP FOR VALVE		10
28	10085037	VALVE FOR PISTON		50
29	10085048	SPRING FOR VALVE		25



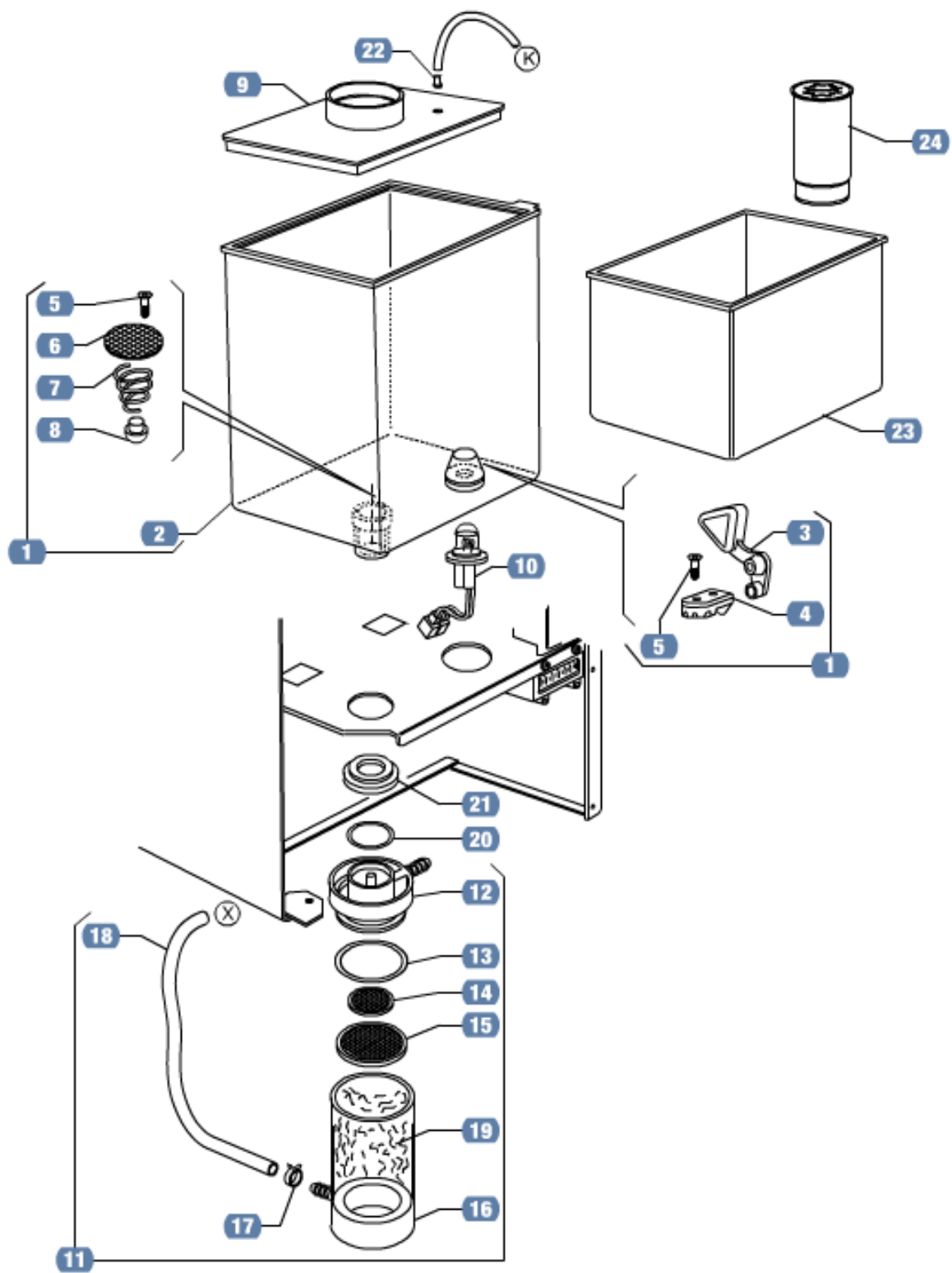
TAV: 4 - DISTRIBUTION SECTION

REF.	PART NO.	DESCRIPTION	S.I.	MOQ
1	10087023	SPACER		25
2	10085160	JAW LH		20
3	10085159	SPRING FOR JAW LH		25
4	10085126	JAW RH		20
5	10085049	SPRING FOR JAW RH		25
6	10085060	SLIDING BASE		5
7	10087167	CUP COMPARTMENT		1
8	10087024	SCREW ALLEN M 5 X 35		50
9	10087154	SOLENOID VALVE 230V -STEAM		10
10	10087185	FITTING M8X1 - 1/8 GAS CONICAL		10
11	10087162	FITTING - 90 DEG ROT. 1/8 D.6 MM		10
12	10087183	PIPE D.3X6 L= 85 MM PTFE		20
13	10087186	FITTING FOR STEAM PIPE		20
14	10089028	O-RING 2025 SILICONE		50
15	10087187	WASHER 12,2 X 15 X 1 MM. NYLON		25
16	10088068	HEXAGON NUT 14		50
17	10087039	KNOB FOR STEAM LEVER		10
18	10087025	STEAM PIPE ASSY		10
19	10088070	MILK FROTHING PIPE		5
20	10087027	O-RING 2031	010	25
21	10087026	KNOB		50
22	10085069	MICROSWITCH		10
23	10085040	COVER FOR MICROSWITCH		10
24	10085103	SCREW SELF-TAPPING 2,9X 19		100
25	10085222	LAMP FOR CUP COMP. W/FASTON		25
26	10085472	DECAL -CUP COMPARTMENT		50
27	10085223	LAMP HOLDER FOR CUP COMPART.		5



TAV: 5 - TANK SECTION

REF.	PART NO.	DESCRIPTION	S.I.	MOQ
1	10087047	TANK W/NEW FLOAT ASSY	009,020	5
2	10087049	TANK FOR NEW FLOAT		1
3	10079257	FLOAT		10
4	10079235	FLOAT RETAINER		50
5	10085101	SCREW SELF-TAPPING 2,9X9,5		50
6	10085006	RETINA PER SERBATOIO		50
7	10085047	SPRING FOR VALVE		50
8	10085038	VALVE FOR TANK		25
9	10087188	TANK COVER ASSY		5
10	10087050	FLOAT CONTACT	009,020	10
11	10087041	SOFTENER ASSY		5
12	10087042	CAP FOR SOFTENER W/O HOLE		5
13	10085036	O-RING		10
14	10085130	SMALL FILTER + RING SPARE PART NO LONGER AVAILABLE AT LAVAZZA.		20
15	10085131	LARGE FILTER + RING SPARE PART NO LONGER AVAILABLE AT LAVAZZA.		20
16	10085027	SOFTENER CASE SPARE PART NO LONGER AVAILABLE AT LAVAZZA.		5
17	10085112	HOSE CLAMP SPARE PART NO LONGER AVAILABLE AT LAVAZZA.		25
18	10085044	PIPE SILICONE		10
19	10085087	RESINS SPARE PART NO LONGER AVAILABLE AT LAVAZZA.		10
20	10086081	GASKET GACO		25
21	10085177	WASHER		25
22	10087043	FITTING 8 X 6		10
23	10079231	BACK TANK		14
24	10079255	RESINE FILTER		20



TAV: 6 - HYDRAULIC SECTION

REF.	PART NO.	DESCRIPTION	S.I.	MOQ
1	10079052	FITTING - 90 DEG.		20
2	10079944	PUMP 230V-50HZ EX4 GW		10
3	10085039	PUMP SUPPORT		20
4	10087196	FLOWMETER DIGMESA (NEW)		10
5	10087158	RETAINING SPRING		100
6	10087159	HOSE CLAMP 9,5X12		100
7	10079291	THERMAL PROTECTOR 130° W+CABLE		10
8	10089028	O-RING 2025 SILICONE		50
9	10088130	FITTING - 90 DEG. 1/8 GAS		10
10	10087204	PIPE D.4X2 L=150 MM ASSY PTFE		20
11	10087044	FITTING 1/8 CONICAL SPARE PART NO LONGER AVAILABLE AT LAVAZZA.	061	10
12	10079108	FITTING - 90 DEG. M1/8G M8X1		10
13	10079018	SOLENOID VALVE 230V/50 3V		5
14	10085220	SCREW 3X12		25
15	10085462	LOCK NUT M3		50
16	10087180	PIPE D.4X8 L=530 MM SILICONE		20
17	10085106	SCREW SELF-TAPPING 3,9X6,5		50

