



DATE:  
30/10/2015

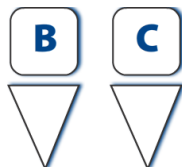
SPARE PARTS MANUAL

EL 3200



Tel. 0039.011.2398429  
 Fax 0039.011.23980466  
 technicalservice@lavazza.it  
 http://ts.inlavazza.it

EL 3200  
 Codice macchina  
 10080305



TAV: 5 - BOILER ASSEMBLY

REF.	PART NO.	DESCRIPTION	S.I.	UDV
	10061827	SUPPORT FOR BOILER		5
	1006188	SCREW 3,5X15		
	1006188	THERMOSTAT BOILER 230V ASSY ALUMINIUM		
	10061791	PIPE D=7,5X9,3 L=2 M SILICONE		
	10061115	PROTECTION FOR SPRING		10
	10061116	FITTING+PROTECTION ASSY L=185 MM		5
	10061114	HOSE CLAMP D.11/11,6		10
	10061113	THERMOSTAT 175° 1NT-15L-5126		20
	10061118	SCREW 4X8		50
LB 2300 SINGLE CUP 230V				14

- A) MACHINE MODEL:** Machine model.
- B) TABLE NUMBER:** Table identification number.
- C) TABLE TITLE:** Descriptive title of the table.
- D) REFERENCE:** reference number of the single items shown in the drawing.
- E) PART NO.:** Identification number of the item.
- F) DESCRIPTION:** item description.
- G) S.I.:** Service information regarding the relevant item.
- H) UDV (Required minimum quantity):** The required minimum quantity for each part. When the order is directly sent to Luigi Lavazza S.p.A. the quantity ordered must be equal or a multiple of the one indicated in the UDV column.



### ATTENTION

Only original spare parts must be used. The manufacturer declines any responsibility arising from the use of unoriginal spare parts.



### ENVIRONMENT

The replacement part should be delivered to the appropriate collection centres for disposal.

# SPARE PARTS INDEX

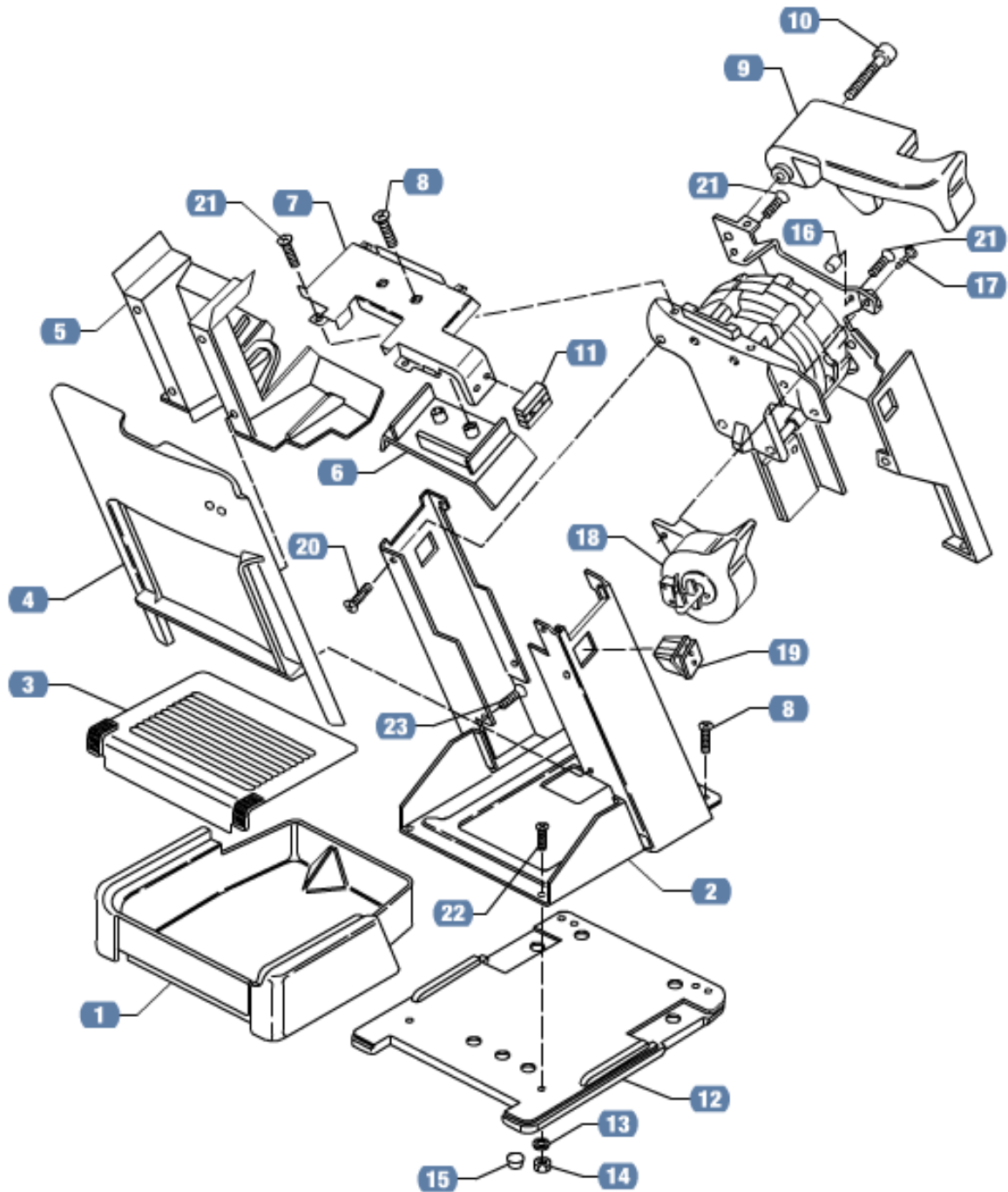
**Pag. 4: CASE**

**Pag. 6: CASE**

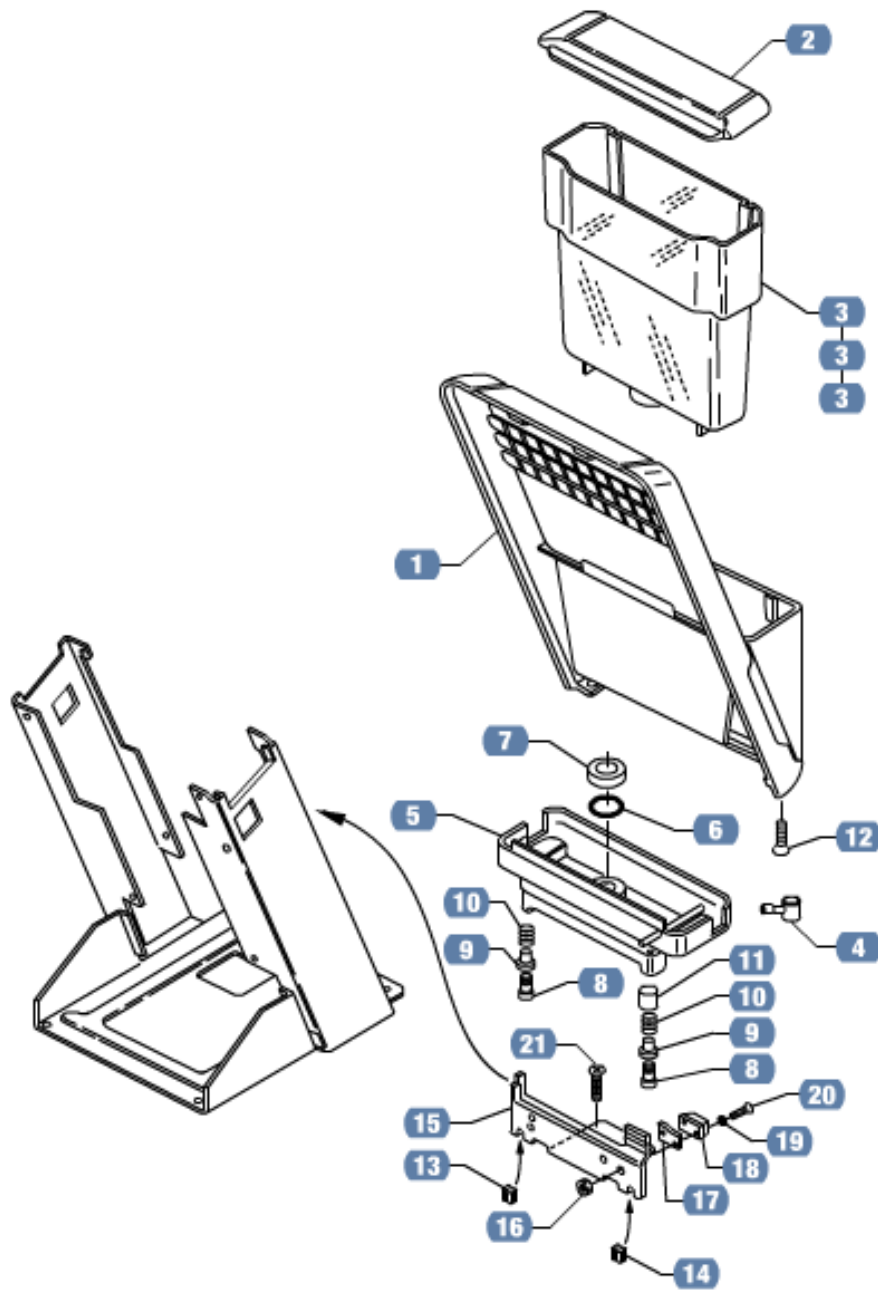
**Pag. 8: ELECTRICAL COMPONENTS**

**Pag. 12: DISTRIBUTION SECTION**

REF.	PART NO.	DESCRIPTION	S.I.	MOQ
1	10079603	DRAWER		5
2	10089033	FRAME ASSY		1
3	10079605	GRID FOR CUP SUPPORT+BOLTS		20
4	10079604	FRONT PANEL PAD PR.		10
5	10089011	INT.PROTECTOR W/DUCT		10
6	10088014	INT.THERMAL PROT.		5
7	10089012	PROTECT.BRACKET E.L.		10
8	10088016	SCREW PARKER 3,5 X 13		100
9	10079607	LEVER ASSY		5
10	10088020	SCREW M5 X 25		50
11	10088032	SHOCK ABSORBER		20
12	10088079	BASE - ANTHRACITE		2
13	10088073	FLAT WASHER 4.3X12X1		50
14	10088074	HEXAGON NUT M4		100
15	10088075	FOOT - RUBBER		56
16	10089018	SPACER		25
17	10085104	SCREW SELF-TAPPING 3,5X6,5		50
18	10079601	BREWER ASSY		5
19	10085221	BIPOLAR SWITCH 0/1		5
20	10088060	SCREW SELF-TAPPING 3,5 X 9,5		100
21	10088086	SCREW M 5 X 35		50
22	10088076	SCREW 4X12		50
23	10085105	SCREW SELF-TAPPING 2,9X9,5		100



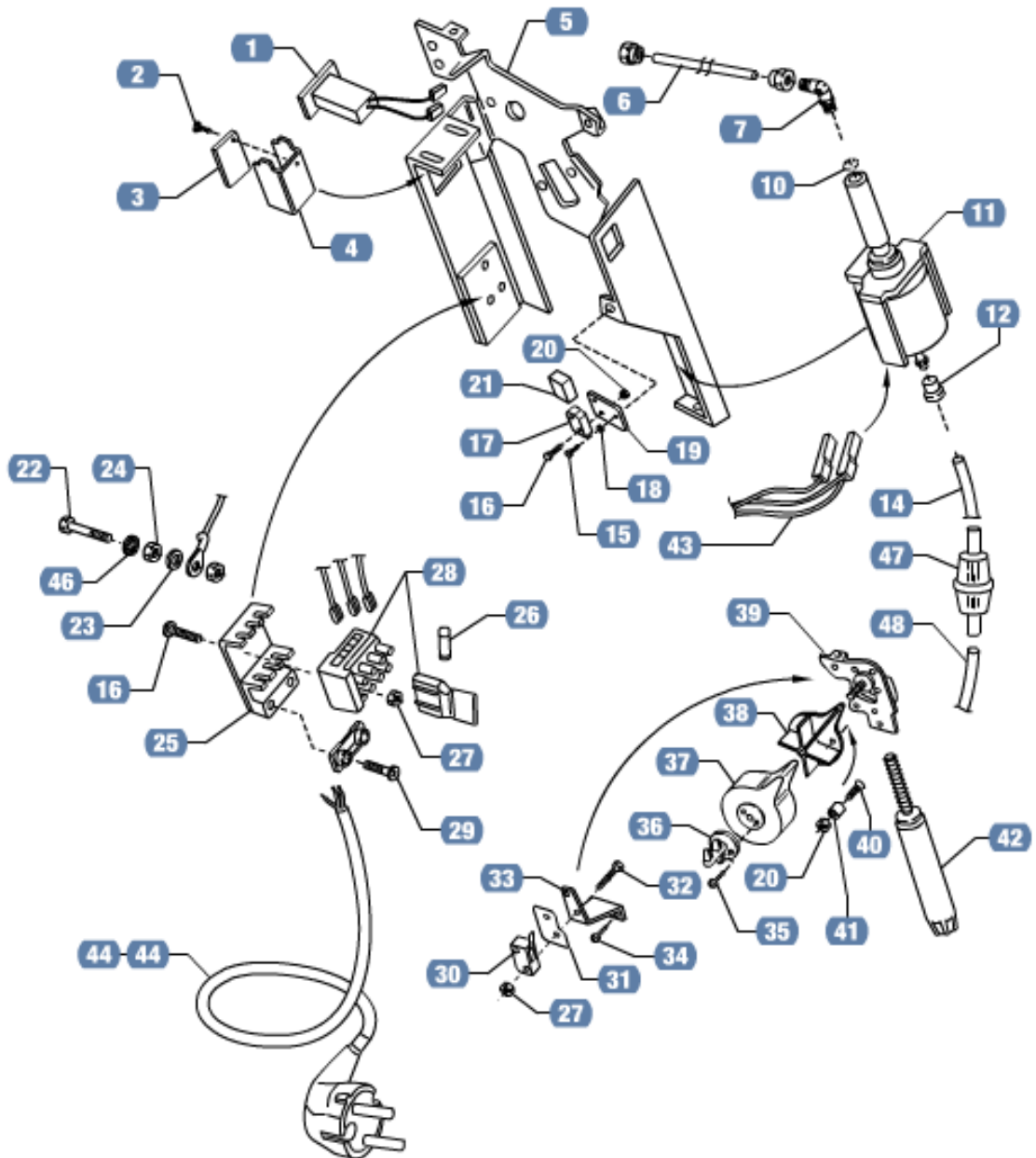
REF.	PART NO.	DESCRIPTION	S.I.	MOQ
1	10079608	REAR PANEL ASS. TINTED		5
2	10079617	TANK COVER - TRANSPARENT		5
3	10079614	TANK WITH INTEGRATED RESINS		18
3	10089052	TANK ASSY GREY FUME		10
3	10062250	WATER TANK ASSY		1
4	10079052	FITTING - 90 DEG.		20
5	10089043	TANK CONVEYOR ASSY		10
6	10088128	GACO GASKET FOR TANK		25
7	10088129	TANK VALVE COVER		10
8	10088044	SCREW SELF-TAPPING 3,5X16		50
9	10089039	BUSHING		20
10	10079600	SPRING FOR TANK SPARE PART NO LONGER AVAILABLE AT LAVAZZA.		50
11	10089041	BUSHING FOR SPRING		20
12	10079742	SCREW 3.5X13		50
13	10089049	CABLE CLAMP D6 SPARE PART NO LONGER AVAILABLE AT LAVAZZA.		20
14	10089050	CABLE CLAMP D8		20
15	10089048	MICROSWITCH MOUNT.BRACKET		5
16	10088028	HEXAGON NUT M3		50
17	10088113	INSULATOR FOR MICROSWITCH		100
18	10088112	MICROSWITCH		5
19	10079620	TOOTHED WASHER D3 SPARE PART NO LONGER AVAILABLE AT LAVAZZA.		25
20	10087035	SCREW M 3 X 16		100
21	10085101	SCREW SELF-TAPPING 2,9X9,5		50



**TAV: 3 - ELECTRICAL COMPONENTS**

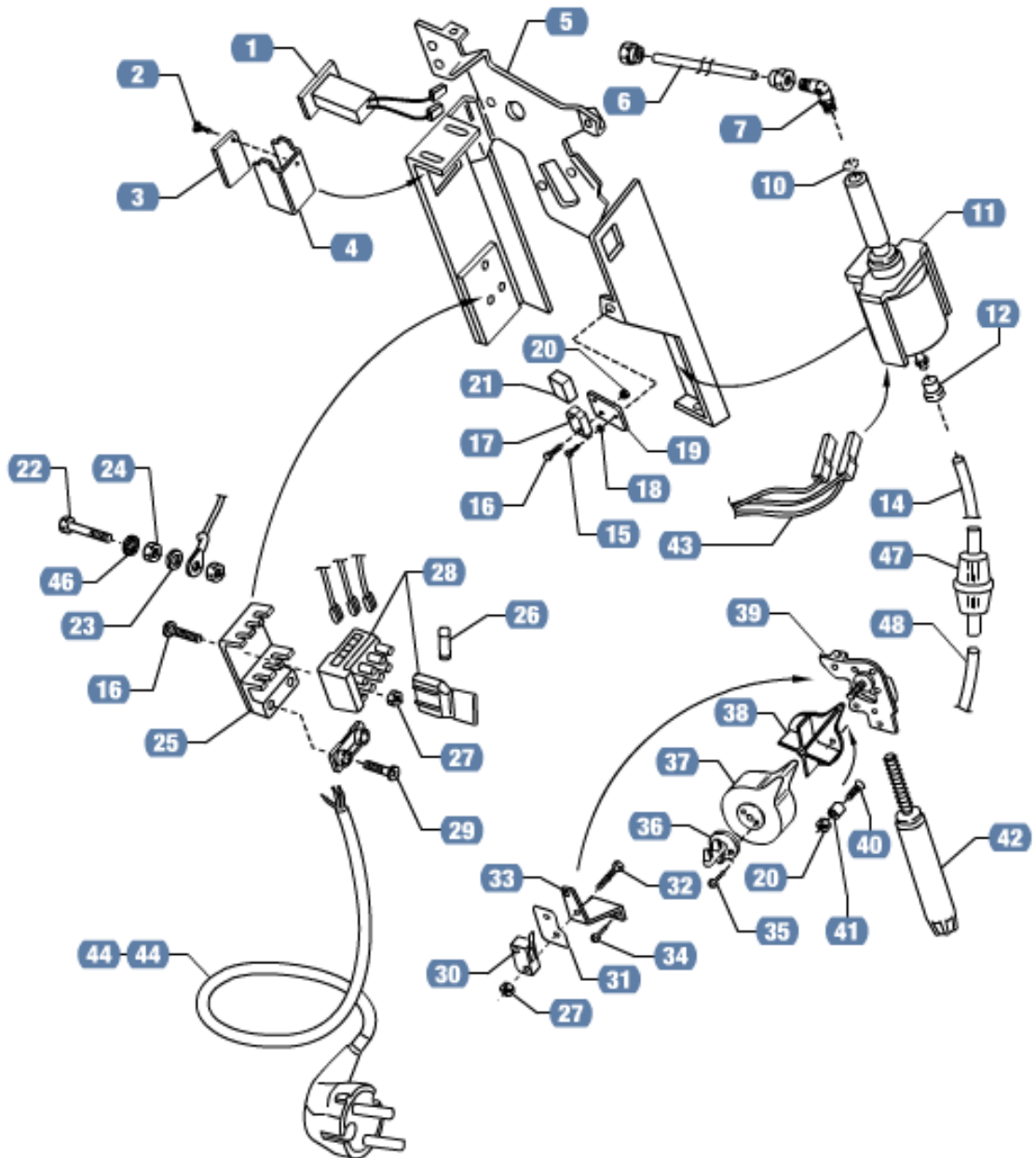
REF.	PART NO.	DESCRIPTION	S.I.	MOQ
1	10089037	COUNTER 12V DC EL EVOLUTION		5
2	10088022	SCREW PARKER 3.5X9.5 SPARE PART NO LONGER AVAILABLE AT LAVAZZA.		50
3	10089045	ELECTRONIC BOARD EL EVOLUTION		10
4	10088283	BOARD HOUSING		10
5	10088047	SUPP. +WELDED NUT+PUMP SUPPORTS SPARE PART NO LONGER AVAILABLE AT LAVAZZA.		5
6	10088125	PIPE D.4X2 L=82 MM PTFE		20
7	10088130	FITTING - 90 DEG. 1/8 GAS		10
10	10089028	O-RING 2025 SILICONE		50
11	10079944	PUMP 230V-50HZ EX4 GW		10
12	10089030	RETAINING RING		20
14	10079610	PIPE D.4X8 L=40 MM SILICONE		50
15	10079887	SCREW PARKER 3.5X9.5		50
16	10088024	SCREW M3 X 20		100
17	10085069	MICROSWITCH		10
18	10085095	WASHER D.4 2		10
19	10089057	MICROSWITCH MOUNT.BRACKET		20
20	10085462	LOCK NUT M3		50
21	10085040	COVER FOR MICROSWITCH		10
22	10088080	SCREW M 4 X 12		100
23	10088083	GROVER 4		50
24	10088081	HEXAGON NUT M4 SPARE PART NO LONGER AVAILABLE AT LAVAZZA.		100
25	10088025	TERMINAL BOARD HOLDER AND CABLE CLAMP SPARE PART NO LONGER AVAILABLE AT LAVAZZA.		10
26	10085071	FUSE 5X20 6,3 A		50
27	10088028	HEXAGON NUT M3		50
28	10089059	TERMINAL BOARD W/FUSE		5
29	10088026	SCREW SELF-TAPPING 3,5X14,5 SPARE PART NO LONGER AVAILABLE AT LAVAZZA.		100
30	10088112	MICROSWITCH		5
31	10088113	INSULATOR FOR MICROSWITCH		100
32	10087035	SCREW M 3 X 16		100
33	10088114	MICROSWITCH MOUNT.BRACKET SPARE PART NO LONGER AVAILABLE AT LAVAZZA.		20
34	10079003	SCREW SELF-TAPPING 3.5X6.5		50
35	10088044	SCREW SELF-TAPPING 3,5X16		50





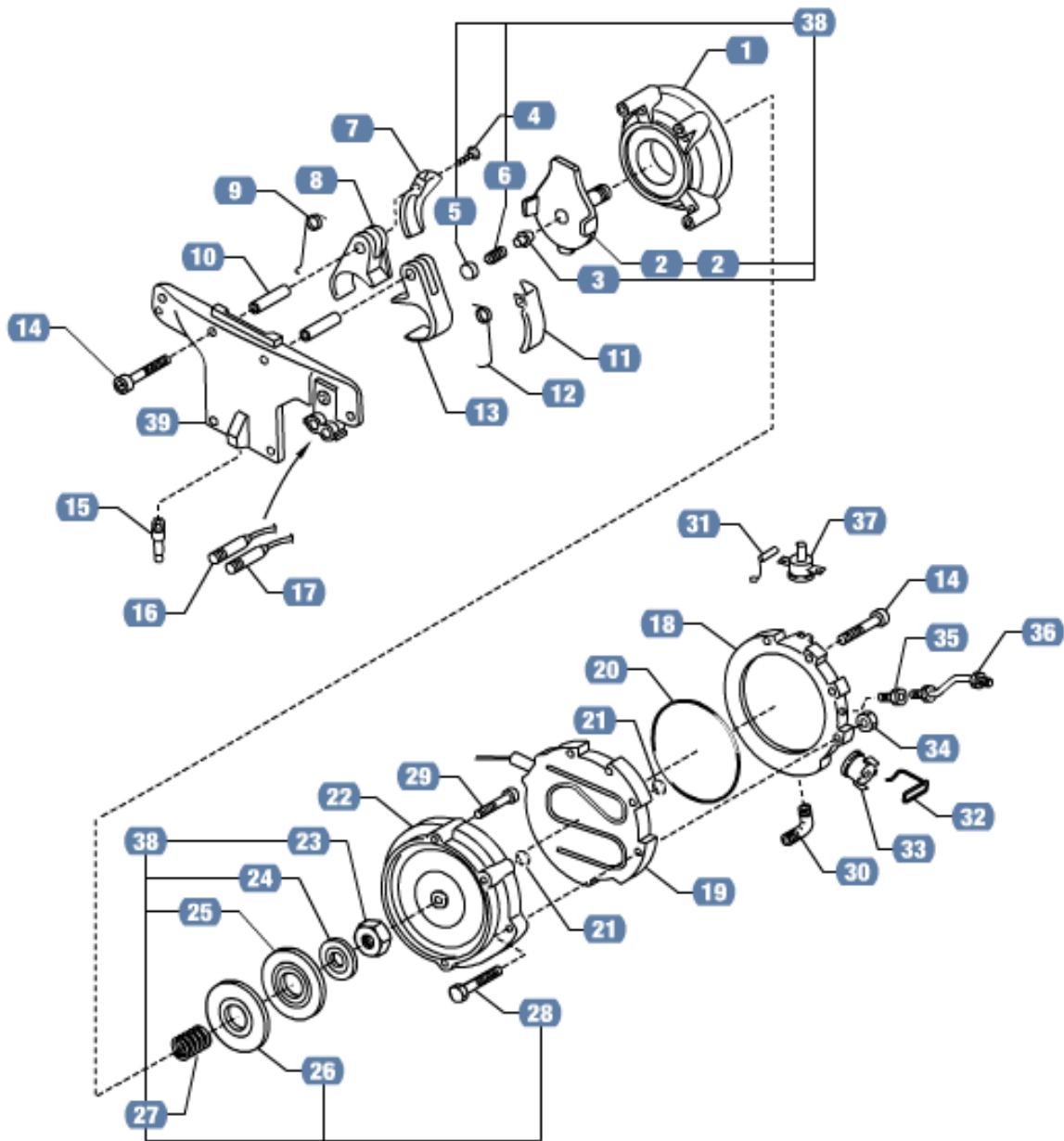
**TAV: 3 - ELECTRICAL COMPONENTS**

REF.	PART NO.	DESCRIPTION	S.I.	MOQ
36	10088117	CAM FOR MICROSWITCH		20
37	10079602	LEVER FOR STEAM NOZZLE		5
38	10088121	INT.CTRL LEVER		10
39	10089022	BREWER ASSY		1
40	10089002	SCREW M 3X20		50
41	10089018	SPACER		25
42	10079618	SILENCER ASSY		20
43	10089061	WIRING 230V EL3100		5
44	10089023	POWER CABLE CH COUNTRY		1
44	10088124	POWER CORD F		10
46	10088082	TOOTHED WASHER 4		100
47	10079897	INLET FILTER		10
48	10079611	PIPE D.4X8 L=155 MM SILICONE		20



**TAV: 4 - DISTRIBUTION SECTION**

REF.	PART NO.	DESCRIPTION	S.I.	MOQ
1	10087022	BREWING CHAMBER		5
2	10088096	FAP PRESSER	113	10
2	10070801	FAP-PRESSER SINGLE DOSE REL.2	116	1
3	10085037	VALVE FOR PISTON		50
4	10085104	SCREW SELF-TAPPING 3,5X6,5		50
5	10085056	CAP FOR VALVE		25
6	10085048	SPRING FOR VALVE		25
7	10089016	SPLASH GUARD LH		10
8	10085160	JAW LH		20
9	10088088	SPRING FOR JAW LH		25
10	10087023	SPACER		25
11	10089017	SPLASH GUARD RH		10
12	10088092	SPRING FOR JAW RH		25
13	10085126	JAW RH		20
14	10088020	SCREW M5 X 25		50
15	10088012	COUPLING FOR SPOUT		10
16	10088057	PILOT LIGHT ORANGE		5
17	10088058	PILOT LIGHT RED		5
18	10088149	UPPER PLATE EASYC		5
19	10088150	HEATING PLATE 230V-930W EASY C		5
20	10088106	O-RING SILICONE 79X2		25
21	10087027	O-RING 2031		25
22	10088151	FAP PRESSER COVER EASYCLEAN		5
23	10088102	NUT FOR CHAMBER		10
24	10085057	UPPER WASHER		25
25	10085043	MEMBRANE		25
26	10085053	LOWER WASHER		25
27	10085051	SPRING		10
28	10088103	SCREW M4X45		25
29	10089063	SCREW ALLEN M5 X 20		20
30	10088130	FITTING - 90 DEG. 1/8 GAS		10
31	10089062	MOUNT.BRACKET FOR THERMOSTAT		100
32	10088143	SPRING FOR THERMOSTAT		20
33	10079225	THERMOSTAT 100°C CAMPINI		10



**TAV: 4 - DISTRIBUTION SECTION**

REF.	PART NO.	DESCRIPTION	S.I.	MOQ
34	10088049	HEXAGON NUT M5		25
35	10088108	FITTING - STRAIGHT FOR COPPER PIPE		10
36	10088051	PIPE D.4X2 L=65 PTFE NUTS+OGIVES		20
37	10079277	THERMOSTAT RESETTABLE 145° C		10
38	10087089	CHAMBER ASSY EPV		5
39	10089008	BASE + LAMP HOLDER BRACKET		5

