



DATE:
30/10/2015

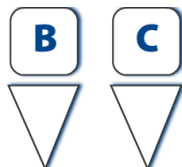
SPARE PARTS MANUAL

LB 4700



Tel. 0039.011.2398429
 Fax 0039.011.23980466
 technicalservice@lavazza.it
 http://ts.inlavazza.it

LB 4700
 Codice macchina
 10080009



TAV: 5 - BOILER ASSEMBLY

REF.	PART NO.	DESCRIPTION	S.I.	UDV
	10061827	SUPPORT FOR BOILER		5
	1006188	SCREW 3.5X15		
	1006188	TYRE BOILER 230V ASSY ALUMINIUM		
	10061791	PIPER 10 L=15M 60SR SILICONE		
	10061791	SELF-TAPPING 5X30		
	10061791	PIPE D.7,5X9,3 L=2 M SILICONE		
	10061115	PROTECTION FOR SPRING		10
	10061116	FITTING+PROTECTION ASSY L=185 MM		5
	10061116	HOSE CLAMP D.11/11,6		10
	10061116	THERMOSTAT 175° 1NT-15L-5126		20
	10061116	SCREW 4X8		50
LB 2300 SINGLE CUP 230V				14

- A) MACHINE MODEL:** Machine model.
- B) TABLE NUMBER:** Table identification number.
- C) TABLE TITLE:** Descriptive title of the table.
- D) REFERENCE:** reference number of the single items shown in the drawing.
- E) PART NO.:** Identification number of the item.
- F) DESCRIPTION:** item description.
- G) S.I.:** Service information regarding the relevant item.
- H) UDV (Required minimum quantity):** The required minimum quantity for each part. When the order is directly sent to Luigi Lavazza S.p.A. the quantity ordered must be equal or a multiple of the one indicated in the UDV column.



ATTENTION

Only original spare parts must be used. The manufacturer declines any responsibility arising from the use of unoriginal spare parts.



ENVIRONMENT

The replacement part should be delivered to the appropriate collection centres for disposal.

SPARE PARTS INDEX

Pag. 4: CASE

Pag. 6: ELECTRIC CIRCUIT

Pag. 8: HYDRAULIC CIRCUIT

Pag. 12: POWER PUMP

Pag. 14: BOILER

Pag. 16: WATER/STEAM PIPES

Pag. 18: BREWING UNIT

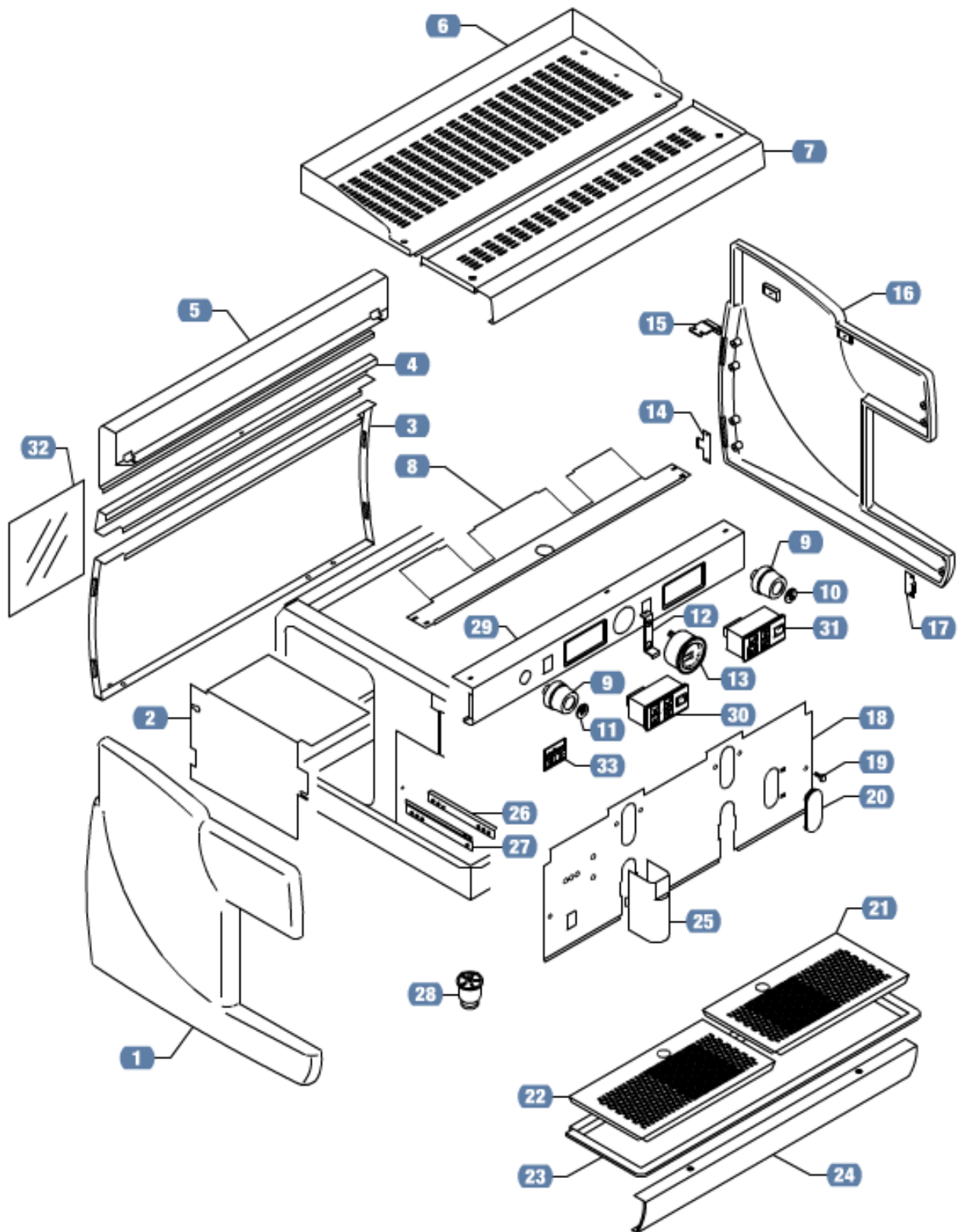
Pag. 20: FILTERS AND FILTER HOLDERS

Pag. 22: CAPPUCINATORE

Pag. 24: WATER CHARGE – WATER LEVEL

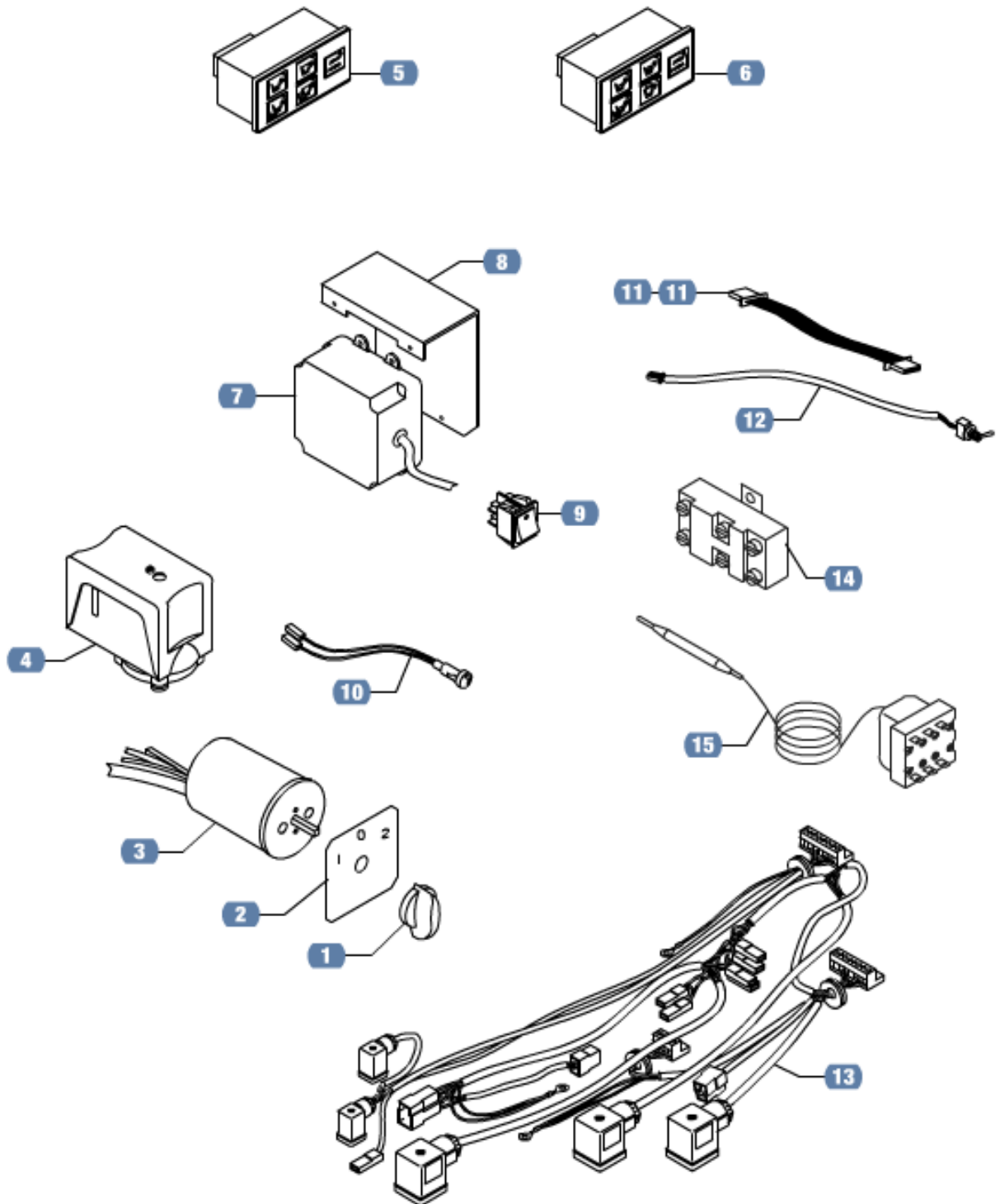
Pag. 26: ACCESSORIES

REF.	PART NO.	DESCRIPTION	S.I.	MOQ
1	10066144	SIDE PANEL LH GREY		1
2	10066145	PROTECTOR LH 2-3-4GR		1
3	10066146	LOWER REAR PANEL 2 GR.		1
4	10066147	CENTRAL REAR PANEL 2 GR .		1
5	10066148	UPPER REAR PANEL 2 GR.		1
6	10066149	UPPER GRID 2GR SS		1
7	10066150	TOP COVER 2GR SS		1
8	10066151	CIRCUIT COVER 2GR		1
9	10066152	STEAM/WATER KNOB		10
10	10066153	STEAM ADHESIVE LABEL FOR HANDLE		10
11	10066154	WATER ADHESIVE LABEL FOR HANDLE		5
12	10066155	SUPPORT FOR PRESSURE GAUGE		2
13	10066156	ROUND PRESSURE GAUGE D.SCALE		1
14	10066157	REAR FASTENER		2
15	10066158	UPPER FASTENER		2
16	10066159	SIDE PANEL RH GREY		1
17	10066160	FRONT FASTENER		2
18	10066161	COVER FOR BOILER		1
19	10066162	SCREW M6X12 SPARE PART NO LONGER AVAILABLE AT LAVAZZA.		5
20	10066163	LEVEL INDICATOR		1
21	10066164	LOWER GRID RH		2
22	10066165	LOWER GRID LH		2
23	10066166	TRAY 2GR		1
24	10066167	FRONT BASE PROFILE W/O HOLES		1
25	10066168	COVER FOR SOLENOID VALVE		2
26	10066169	GUIDE RH-LH FOR TRAY		2
27	10066170	SPACER		2
28	10066171	ADJUSTABLE FOOT SAT/SS H55/69		2
29	10066172	FRONT PANEL 2GR.		1
30	10066173	KEYBOARD 2 COFFEES+2 CAPP		1
31	10066174	KEYBOARD 4 COFFEES		1
32	10066175	ADHESIVE LABEL "LAVAZZA BLUE"		5
33	10066176	ADHESIVE LABEL "LAVAZZA BLUE"		2



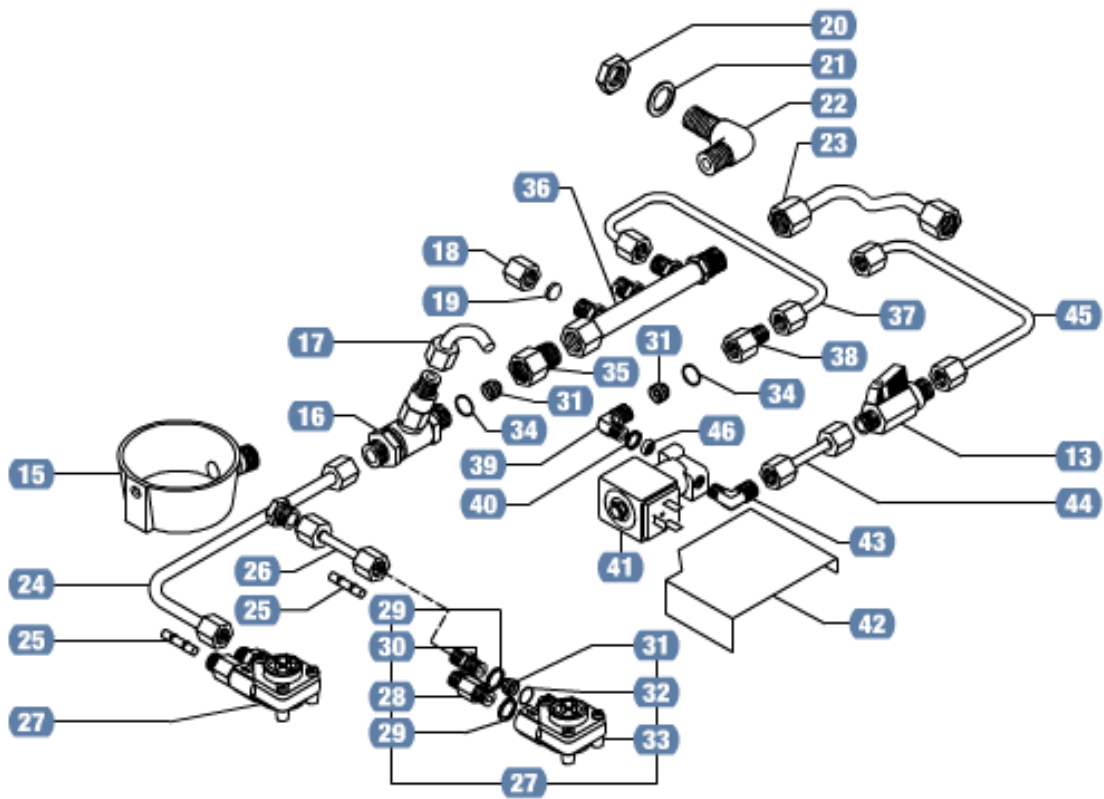
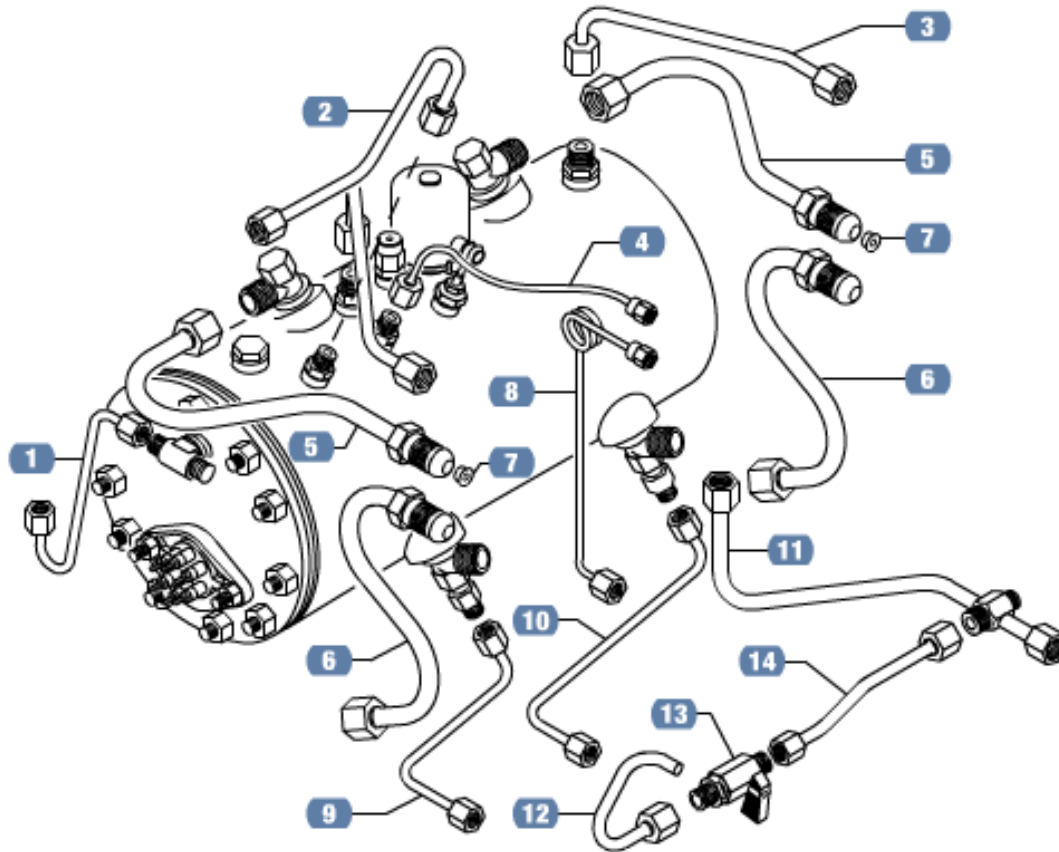
TAV: 2 - ELECTRIC CIRCUIT

REF.	PART NO.	DESCRIPTION	S.I.	MOQ
1	10066200	MAIN SWITCH KNOB		10
2	10066201	ADHESIVE LABEL 58X58		5
3	10066202	SEL.SWITCH		1
4	10066203	PRESSURE SWITCH SIRAI P302/6		2
5	10066174	KEYBOARD 4 COFFEES		1
6	10066173	KEYBOARD 2 COFFEES+2 CAPP		1
7	10066206	CONTROL UNIT 230V RL3		1
8	10066207	SUPPORT FOR CONTROL UNIT RL3		2
9	10066208	BIP.SWITCH - RED LED		10
10	10066209	PILOT LIGHT GREEN 220V		5
11	10066210	CABLE 10 CORES FOR KEYBOARD 80CM		5
11	10066211	CABLE 10 CORES FOR KEYBOARD 140CM		2
12	10066212	LEVER SWITCH FOR PROGRAMS		5
13	10066213	WIRING EVD/2		1
14	10066261	THERMOSTAT EGO UL 169°C		1
15	10065832	THERMOSTAT 169° C		1



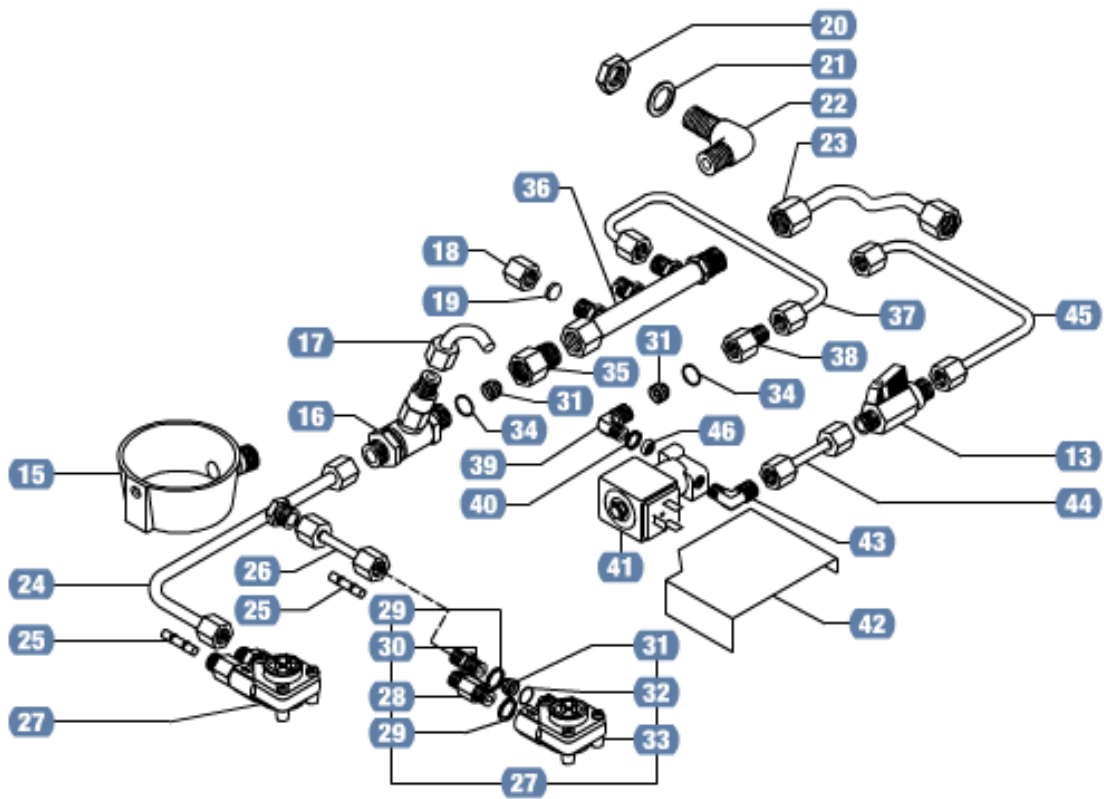
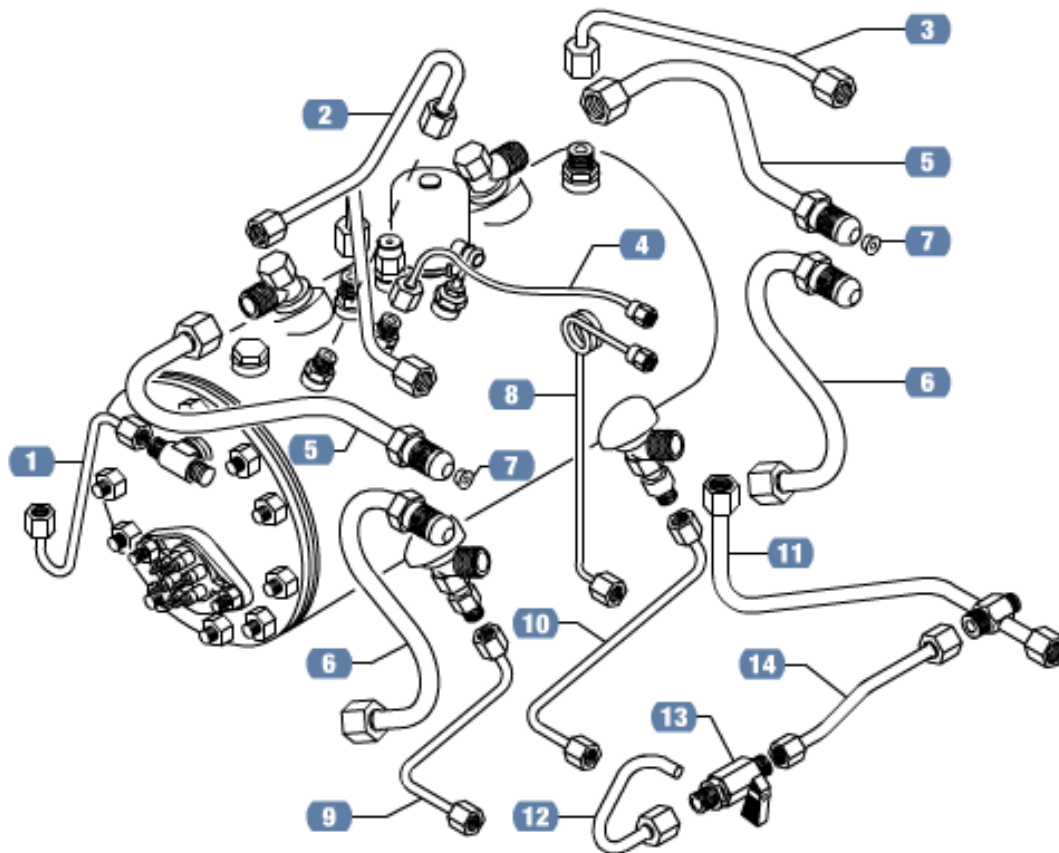
TAV: 3 - HYDRAULIC CIRCUIT

REF.	PART NO.	DESCRIPTION	S.I.	MOQ
1	10066214	PIPE D.6 L.240		1
2	10066143	WELDED PIPE D.8 L=160		1
3	10066216	WELDED PIPE D.10 L=300		1
4	10066217	WELDED PIPE D.4 L=310		1
5	10066218	PIPE D.12 L=295		1
6	10066346	WELDED PIPE D.10 L=110		1
7	10066219	THROTTLING ELEMENT		5
8	10066220	WELDED PIPE D.4 L=730		1
9	10066221	WELDED PIPE D.6 L=260		1
10	10066222	WELDED PIPE D.6 L=340		1
11	10066223	PIPE D.10 L=320		1
12	10066224	PIPE D.8 L=100		1
13	10066225	SHUT-OFF VALVE		5
14	10066226	PIPE D.8 L=135 DV 16/A		1
15	10066227	DRAIN CUP D.80		5
16	10066228	ADJUSTABLE VALVE S.C.N.R.		2
17	10066229	PIPE D.6 L=50 3 W169		5
18	10066230	CAP 1/4 GAS FEMALE		5
19	10066231	GASKET KLINGERSIL4400		20
20	10066232	LOCK NUT 3/8		10
21	10066233	WASHER BRASS 3/8		50
22	10066234	FITTING - L-SHAPED 3/8 GASX3/8 GAS L.30		2
23	10066235	WELDED PIPE D.8 L=150		1
24	10066236	WELDED PIPE D.8 L=205		1
25	10066237	NOZZLE D.0,5		5
26	10066238	WELDED PIPE D.6 L=55		1
27	10066239	FLOWMETER ASSY		1
28	10066240	FITTING 1/4X1/4		2
29	10066394	GASKET 13X10.2X1.5 COPPER		20
30	10066135	FITTING 1/4X1/4 W/FLANGE		2
31	10066243	FILTER STEEL		10
32	10066244	O-RING 2031		10
33	10066245	FLOWMETER		1
34	10066246	O-RING FOR FILTER		20



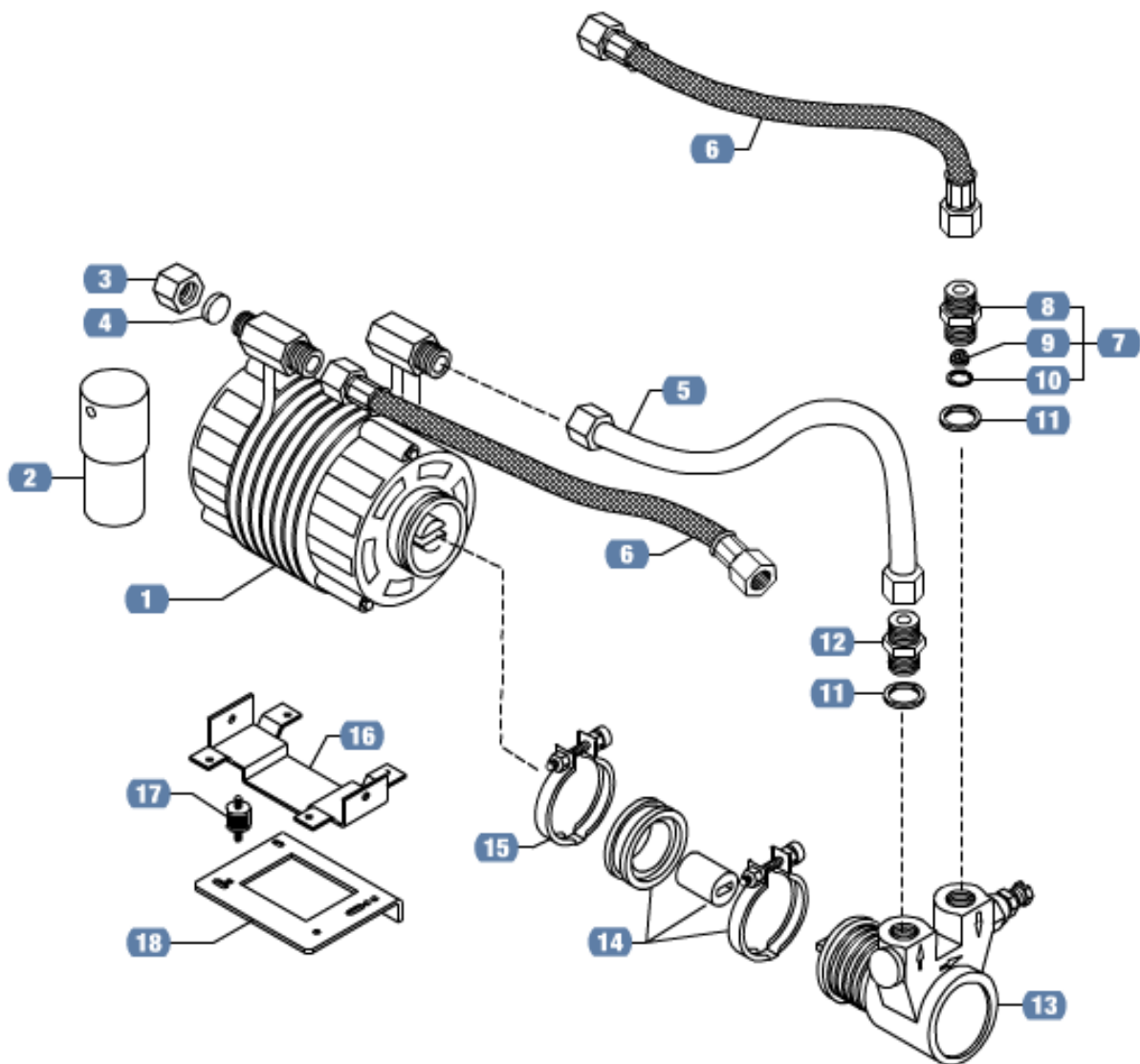
TAV: 3 - HYDRAULIC CIRCUIT

REF.	PART NO.	DESCRIPTION	S.I.	MOQ
35	10066247	FITTING 3/8MX3/8F + FILTER SEAT		10
36	10066248	DISPENSING BLOCK ASSY 2-3-4GR		1
37	10066249	WELDED PIPE D.6 L=255		1
38	10066250	FITTING FOR FILTER		2
39	10066251	FITTING - L-SHAPED D10 3/8X1/8		10
40	10066252	GASKET 8.5X5X1 COPPER		20
41	10062979	SOLENOID VALVE 220-240V 50/60HZ		1
42	10066254	COVER FOR SOLENOID VALVE		2
43	10066255	FITTING - L-SHAPED D6.2 1/4X1/8		10
44	10066256	PIPE D.6 L=50		1
45	10066257	PIPE D.6 L=230		1
46	10066258	FILTER STEEL D-8 TH.0,3		10



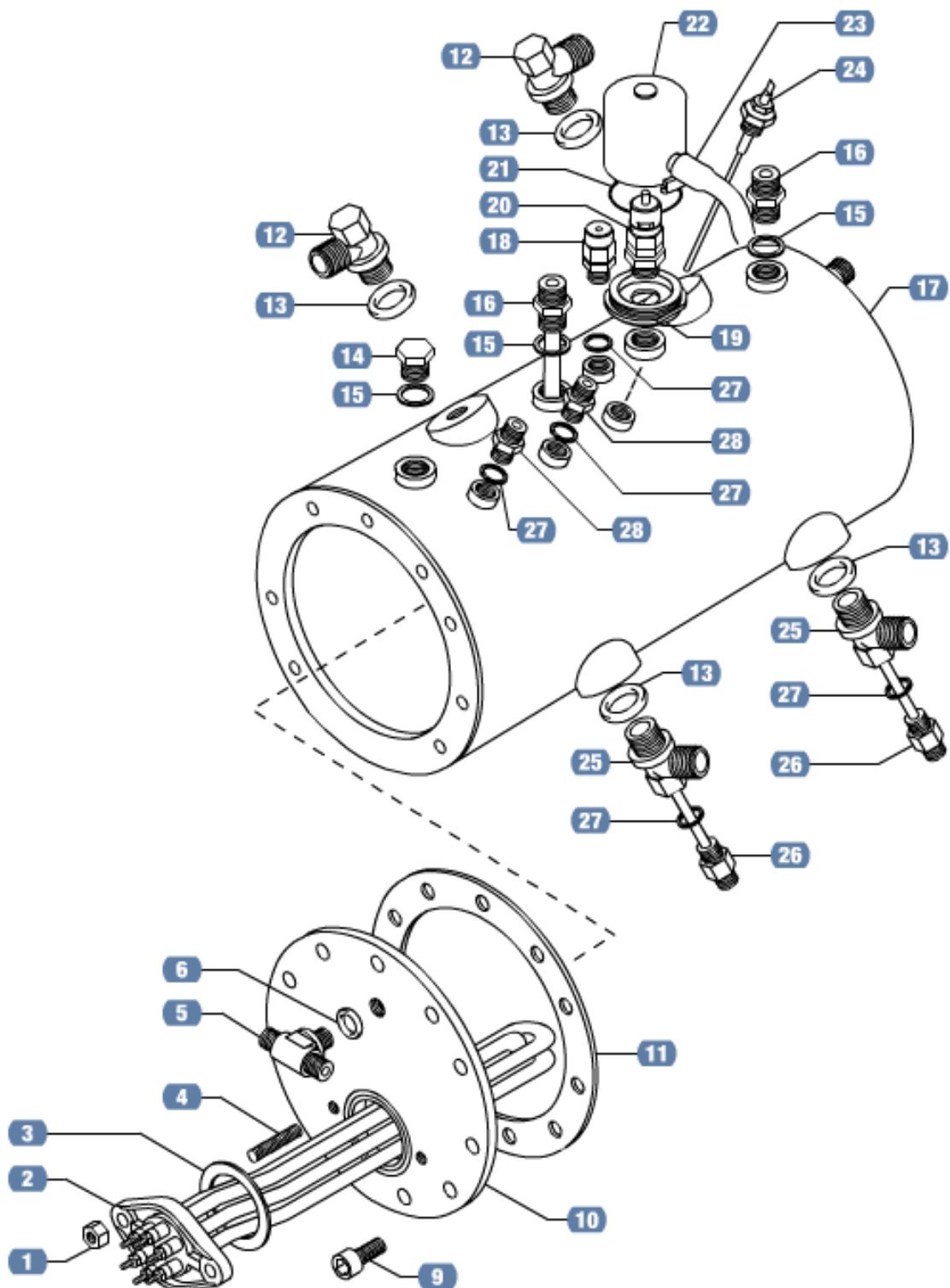
TAV: 4 - POWER PUMP

REF.	PART NO.	DESCRIPTION	S.I.	MOQ
1	10066259	MOTOR RPM NI 230V 50/60 ASSY		1
2	10066260	MOTOR CAPACITOR 230V 7UF		5
3	10066230	CAP 1/4 GAS FEMALE		5
4	10066231	GASKET KLINGERSIL4400		20
5	10066263	WELDED PIPE D.6 L=200		1
6	10066264	PIPE FLEX D.3/8 FF W/CONN.FITTINGS		5
7	10066265	FITTING 3/8+3/8 FOR POWER PUMP ASSY		10
8	10066265	FITTING 3/8+3/8 FOR POWER PUMP ASSY		10
9	10066243	FILTER STEEL		10
10	10066268	RETAINING RING SS		10
11	10066122	GASKET 3/8 22X17X1.5 COPPER		20
12	10066270	FITTING 3/8X3/8 GAS		2
13	10062962	PUMP FLUID-O-TECH PO 204 BY PASS CW510L		1
14	10066272	KIT DECOUPLING MOTOR-PUMP		2
15	10066273	CLAMPING COLLAR MOTOR-PUMP		5
16	10066351	MOTOR SUPPORT RPM		5
17	10066274	SHOCK ABSORBER FOR MOTOR		2
18	10066350	MOTOR FRAME SUPPORT		5



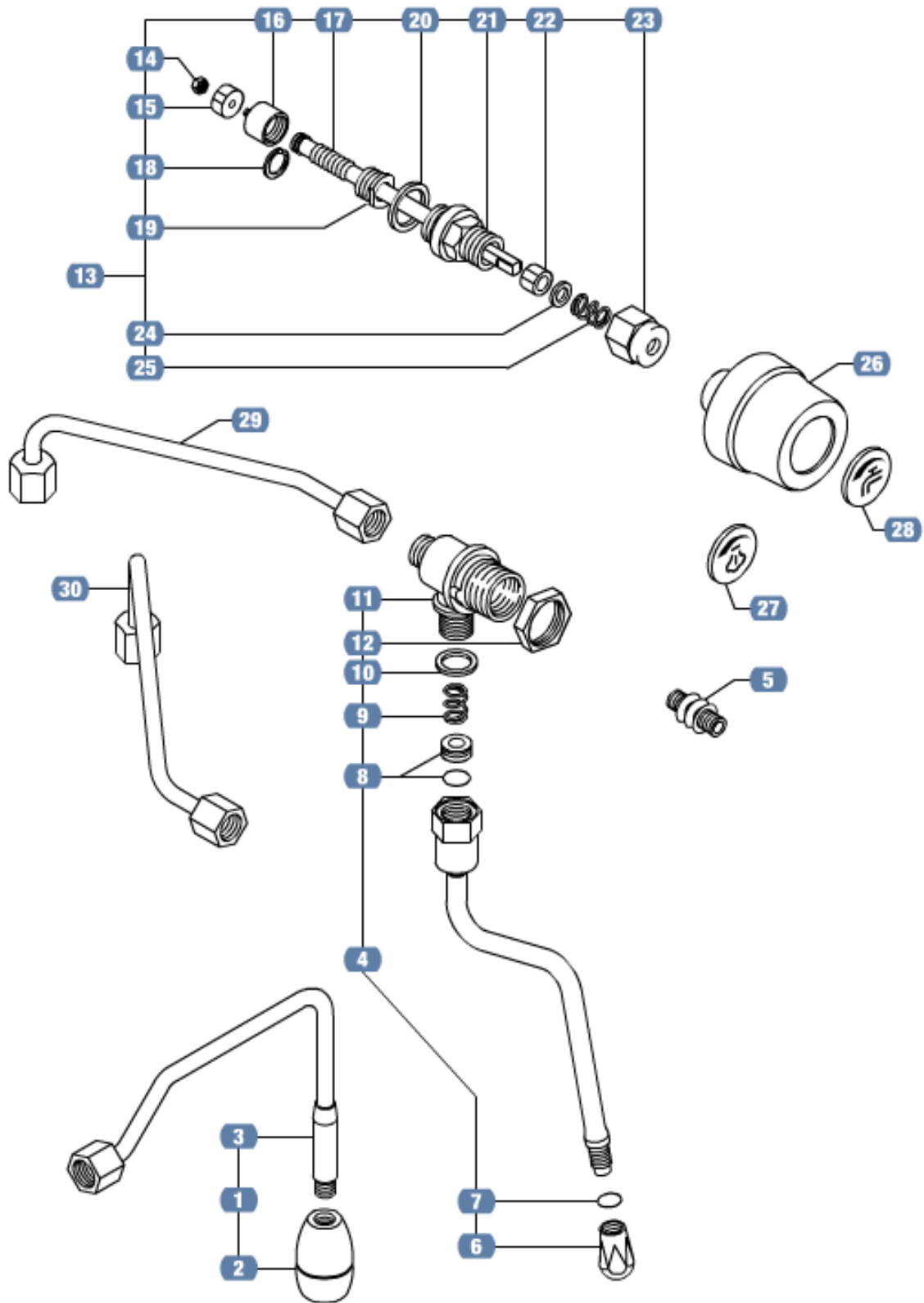
TAV: 5 - BOILER

REF.	PART NO.	DESCRIPTION	S.I.	MOQ
1	10066108	NUT M8		10
2	10082749	HEATING ELEMENT 2GR 230/240V 3400/3700W		1
3	10066110	GASKET PTFE 58X43X2		20
4	10066111	STUD BOLT 8X30		5
5	10066112	FITTING - T-SHAPED 1/4X1/4X1/4		2
6	10066113	GASKET 1/4 18.7X13.2X2.5 COPPER		20
9	10066116	SCREW ALLEN 10X20		50
10	10066117	FLANGE W/O HOLES		1
11	10066118	GASKET PTFE FOR BOILER		1
12	10066119	FITTING - L-SHAPED 1/2		2
13	10066120	GASKET 1/2 GAS COPPER		20
14	10066121	CAP 3/8 MALE		5
15	10066122	GASKET 3/8 22X17X1.5 COPPER		20
16	10066123	WELDED PIPE D.10 L=115		1
17	10066124	BOILER 2GR		1
18	10066125	ONE WAY VALVE		5
19	10066126	FLANGE FOR SAFETY VALVE -GRIGOLY		10
20	10066127	SAFETY VALVE *CE*		5
21	10066128	O-RING 3156		20
22	10066129	SAFETY VALVE PROTECTION ASSY		2
23	10066130	PIPE D.8X11 L=70 CM SILICONE		5
24	10066131	LEVEL PROBE		2
25	10066132	FITTING - T-SHAPED 1/2		2
26	10066133	WELDED PIPE D.6 L=85		1
27	10066394	GASKET 13X10.2X1.5 COPPER		20
28	10066135	FITTING 1/4X1/4 W/FLANGE		2



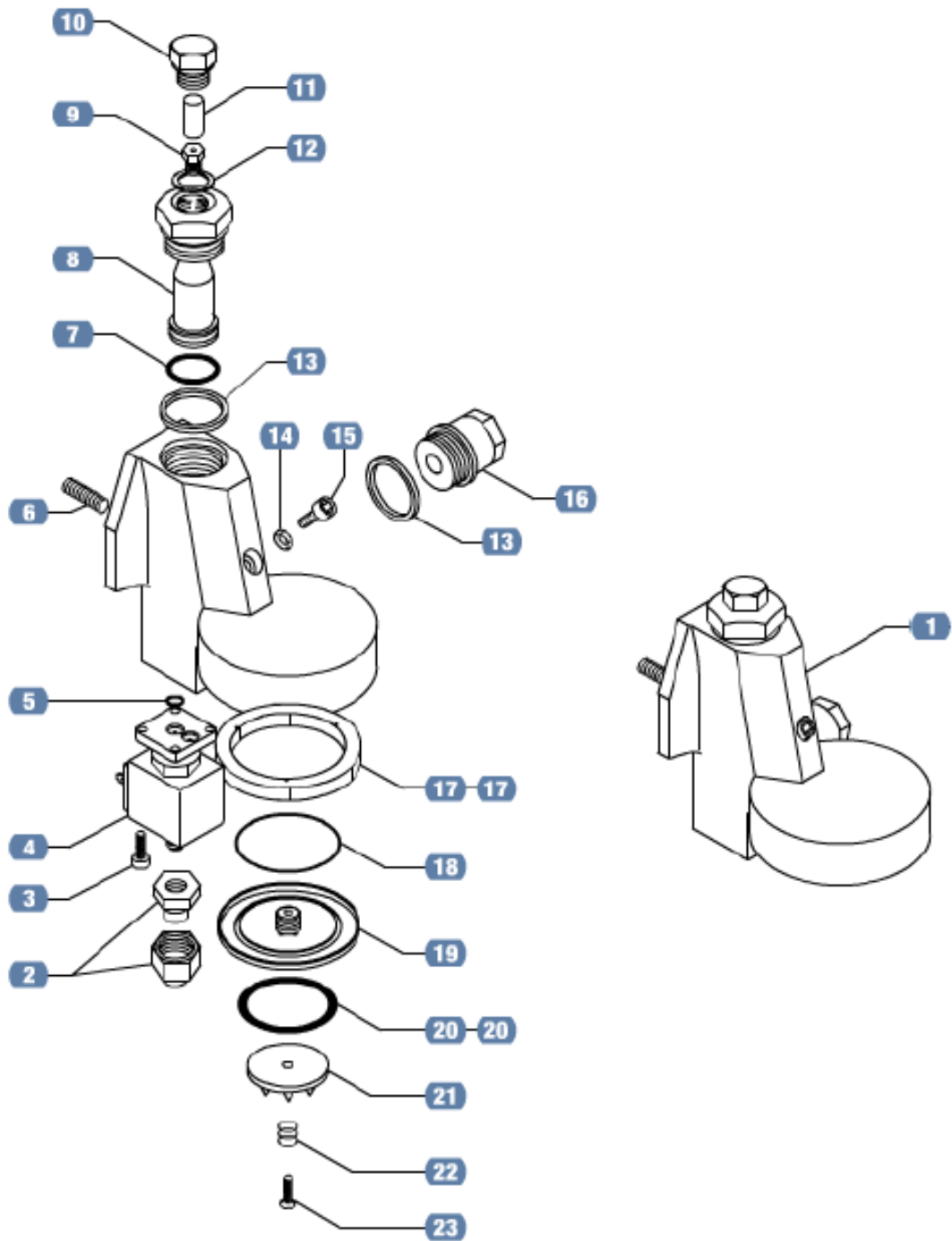
TAV: 6 - WATER/STEAM PIPES

REF.	PART NO.	DESCRIPTION	S.I.	MOQ
1	10066300	WATER PIPE ASSY		1
2	10066301	WATER NOZZLE		2
3	10066302	WELDED PIPE D.8 L=255		1
4	10066303	STEAM PIPE D.8 STAINLESS STEEL		2
5	10066304	STEAM PIPE HANDLE D8		10
6	10066305	STEAM NOZZLE SS		2
7	10066306	O-RING 6X1 SILICONE		20
8	10066307	O-RING W/SPRING BEZEL		20
9	10066308	SPRING		50
10	10066309	GASKET 21X17X2 PTFE		10
11	10066310	VALVE BODY		1
12	10066311	NUT M26X1.5		10
13	10066326	WATER/STEAM VALVE ASSY (+WASHER)		1
14	10066313	NUT M3		100
15	10066314	GASKET 15X4X4 HNBR		20
16	10066315	VALVE PISTON		10
17	10066316	VALVE ROD		2
18	10066317	RETAINING RING D6 SS		100
19	10066318	RING NUT FOR VALVE		10
20	10066319	GASKET 26X20.5X2 COPPER		20
21	10066320	FITTING FOR VALVE		5
22	10066321	RUBBER GASKET FOR WATER/STEAM VALVE		10
23	10066322	GLAND BOLT NUT FOR VALVE		10
24	10066323	WASHER		10
25	10066324	SPRING FOR WATER/STEAM VALVE		20
26	10066152	STEAM/WATER KNOB		10
27	10066153	STEAM ADHESIVE LABEL FOR HANDLE		10
28	10066154	WATER ADHESIVE LABEL FOR HANDLE		5
29	10066216	WELDED PIPE D.10 L=300		1
30	10066329	PIPE D.8 L=335 2 GR.		1



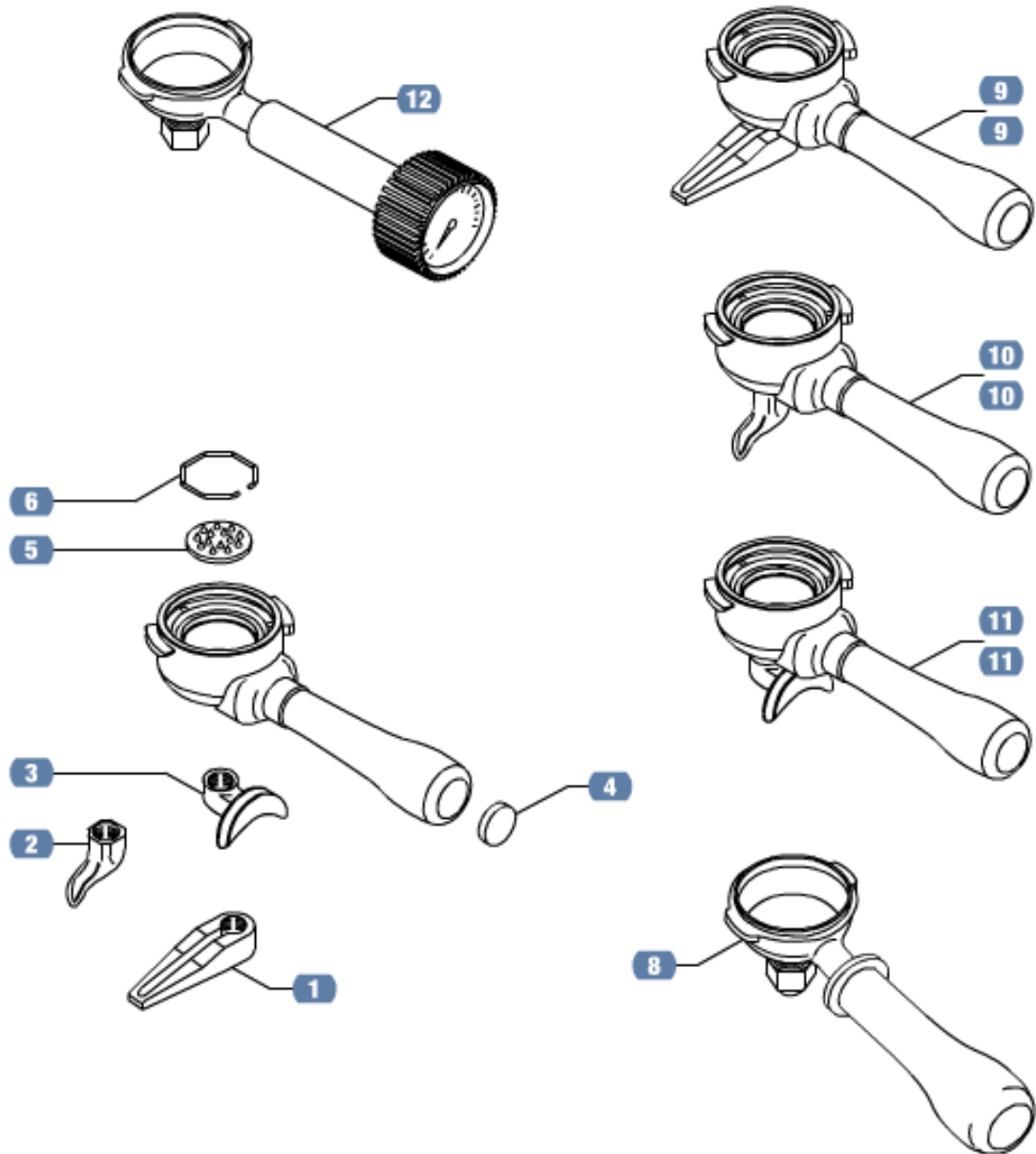
TAV: 7 - BREWING UNIT

REF.	PART NO.	DESCRIPTION	S.I.	MOQ
1	10066199	BREWING UNIT		1
2	10066178	NUT FOR WATER BREAK NOZZLE		10
3	10066179	SCREW ALLEN 4X16		50
4	10062980	SOLENOID VALVE GR. 220/240V 50-60HZ INOX		1
5	10066181	O-RING		50
6	10081937	FLAT DOWEL M8X25		20
7	10066183	O-RING 125		20
8	10066184	MUSHROOM FITTING UNIT		5
9	10066185	NOZZLE D 0.7 FOR BREWER		20
10	10066186	CAP FOR NOZZLE		10
11	10066187	NOZZLE FILTER		10
12	10066188	GASKET PTFE FOR CAP		10
13	10066189	GASKET PTFE		20
14	10066190	GASKET COPPER		20
15	10066191	SCREW ALLEN 6X8		50
16	10066192	CAP FOR BREW UNIT		5
17	10066139	GASKET	118	20
17	10066852	THICKER GASKET H. 8.5	118	10
18	10066195	O-RING 2150 VITON		20
19	10066194	SUPPORT FOR UPPER CAPSULE PERFORATOR	118	5
20	10066193	O-RING 4150	118	20
20	10066851	OR4150 –THICKER IN VITON PER. BLU5005	118	2
21	10066196	UPPER CAPSULE PERFORATOR		1
22	10066197	SPRING		5
23	10066198	SCREW M5X10		50



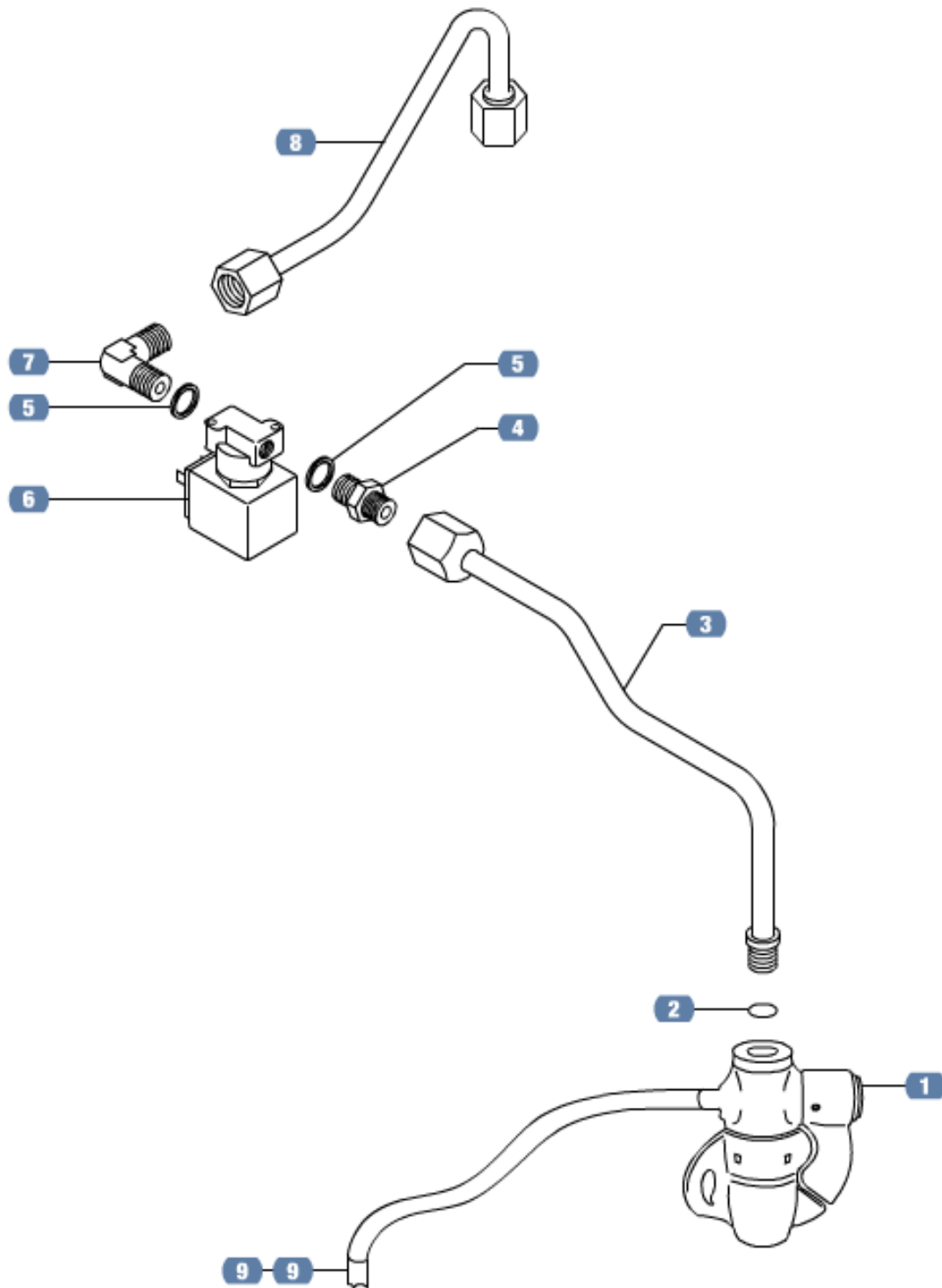
TAV: 8 - FILTERS AND FILETER HOLDERS

REF.	PART NO.	DESCRIPTION	S.I.	MOQ
1	10066292	1 CUP SPOUT LONG		1
2	10066291	1 CUP SPOUT		5
3	10066290	2 CUP SPOUT		5
4	10066275	CAP FOR FILTER-HOLDER HANDLE		10
5	10066939	CAPSULE PERFORATOR LB F.S. - PEEK	081	10
6	10065879	SPRING -OCTAGON		5
8	10065970	FILTER HOLDER BLIND		2
9	10065867	FIXED FILTER-HOLDER 1 CUP SPOUT LONG	097	1
10	10065868	FIXED FILTER-HOLDER 1 CUP SPOUT	097	1
10	10066298	FILTER HOLDER WITH 1 CUP SPOUT	097	1
11	10066299	FILTER HOLDER WITH 2 CUP SPOUTS	097	1
11	10065869	FIXED FILTER-HOLDER 2 CUP SPOUTS	097	1
12	10066328	FILTER HOLDER FOR TEST	090	1



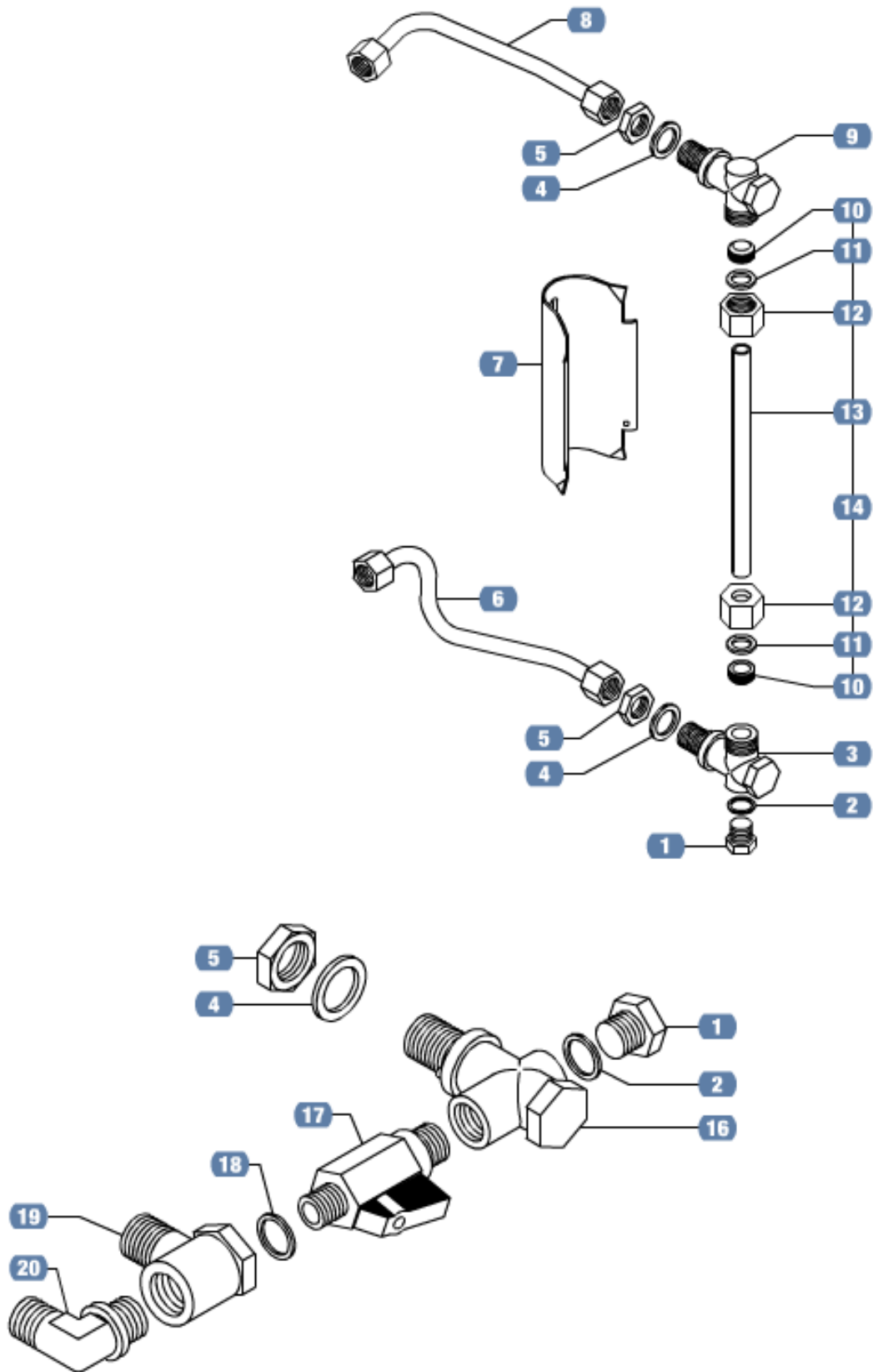
TAV: 9 - CAPPUCCINATORE

REF.	PART NO.	DESCRIPTION	S.I.	MOQ
1	10066136	CAPPUCCINATORE ASSY		1
2	10066137	O-RING HNBR		20
3	10066138	WELDED PIPE D.8 L=190		1
4	10066135	FITTING 1/4X1/4 W/FLANGE		2
5	10066394	GASKET 13X10.2X1.5 COPPER		20
6	10066141	SOLENOID VALVE 220-230V 50/60HZ		1
7	10066142	FITTING - L-SHAPED D6.2 1/4X1/4		1
8	10066143	WELDED PIPE D.8 L=160		1
9	10070312	TERMIN. BIANCO 1.9 K0036C1P005 (EASY-CUP)		1
9	10070315	TERMIN. ROSSO 1.8 K0036C2P004 (EASY-CUP)		1



TAV: 10 - WATER CHARGE – WATER LEVEL

REF.	PART NO.	DESCRIPTION	S.I.	MOQ
1	10066339	CAP ¼ MALE		5
2	10066394	GASKET 13X10.2X1.5 COPPER		20
3	10066347	LOWER BODY IND.LEVEL VERS."92"		1
4	10066233	WASHER BRASS 3/8		50
5	10066232	LOCK NUT 3/8		10
6	10066345	WELDED PIPE D.10 L=110		1
7	10066343	COVER FOR LEVEL IND.		2
8	10066344	PIPE D.10 L=185		1
9	10066349	UPPER BODY IND.LEVEL		1
10	10066352	GASKET RUBBER		20
11	10066338	WASHER - BRASS D17.8		20
12	10066337	NUT M20X1.5		10
13	10066336	PIPE 11X8X170 PIREX GLASS		5
14	10066293	LEVEL PIPE ASSY		1
16	10066348	LOWER BODY IND.LEVEL VERS."96"		1
17	10066225	SHUT-OFF VALVE		5
18	10066113	GASKET 1/4 18.7X13.2X2.5 COPPER		20
19	10066341	FITTING 3/8FX3/8MX14F		2
20	10066342	FITTING - L-SHAPED 3/8		2



TAV: 11 - ACCESSORIES

REF.	PART NO.	DESCRIPTION	S.I.	MOQ
1	10066354	BRUSH FOR CAPPUCINATORE		10
2	10066356	BRUSH WITH SHORT NYLON BRISTLES		2
3	10082452	CLEANER FOR CAPPUCINATORE BOTTLE 1L		2
4	10082451	CLEANER COFFEE PACKAGING 900GR.		2
5	10066363	PIPE D.5X8 SILICONE		1
6	10066364	PIPE D.16 CAVOFLEX		5
7	10066368	PIPE FLEXD. 3/8 FF W/CONN.FITTINGS		1
8	10066369	PRESSURE REDUCER 1/4 1-12BAR		1

