



DATE:
30/10/2015

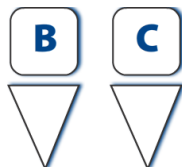
SPARE PARTS MANUAL

LB 1100



Tel. 0039.011.2398429
 Fax 0039.011.23980466
 technicalservice@lavazza.it
 http://ts.inlavazza.it

LB 1100
 Codice macchina
 10080592



TAV: 5 - BOILER ASSEMBLY

REF.	PART NO.	DESCRIPTION	S.I.	UDV
	10061827	SUPPORT FOR BOILER		5
	1006188	SCREW 3.5X15		
	1006188	THERMOSTAT BOILER 230V ASSY ALUMINIUM		
	10061791	PIPER 10 L=15M 60SR SILICONE		
	10061791	SELF-TAPPING 5X30		
	10061791	PIPE D.7,5X9,3 L=2 M SILICONE		
	10061115	PROTECTION FOR SPRING		10
	10061116	FITTING+PROTECTION ASSY L=185 MM		5
	10061116	HOSE CLAMP D.11/11,6		10
	10061116	THERMOSTAT 175° 1NT-15L-5126		20
	10061116	SCREW 4X8		50

LB 2300 SINGLE CUP 230V

14

- A) MACHINE MODEL:** Machine model.
- B) TABLE NUMBER:** Table identification number.
- C) TABLE TITLE:** Descriptive title of the table.
- D) REFERENCE:** reference number of the single items shown in the drawing.
- E) PART NO.:** Identification number of the item.
- F) DESCRIPTION:** item description.
- G) S.I.:** Service information regarding the relevant item.
- H) UDV (Required minimum quantity):** The required minimum quantity for each part. When the order is directly sent to Luigi Lavazza S.p.A. the quantity ordered must be equal or a multiple of the one indicated in the UDV column.



ATTENTION

Only original spare parts must be used. The manufacturer declines any responsibility arising from the use of unoriginal spare parts.



ENVIRONMENT

The replacement part should be delivered to the appropriate collection centres for disposal.

SPARE PARTS INDEX

Pag. 4: FRAME UNIT

Pag. 8: UPPER FRAME UNIT

Pag. 10: HYDRAULIC CIRCUIT

Pag. 12: PERFORATOR UNIT

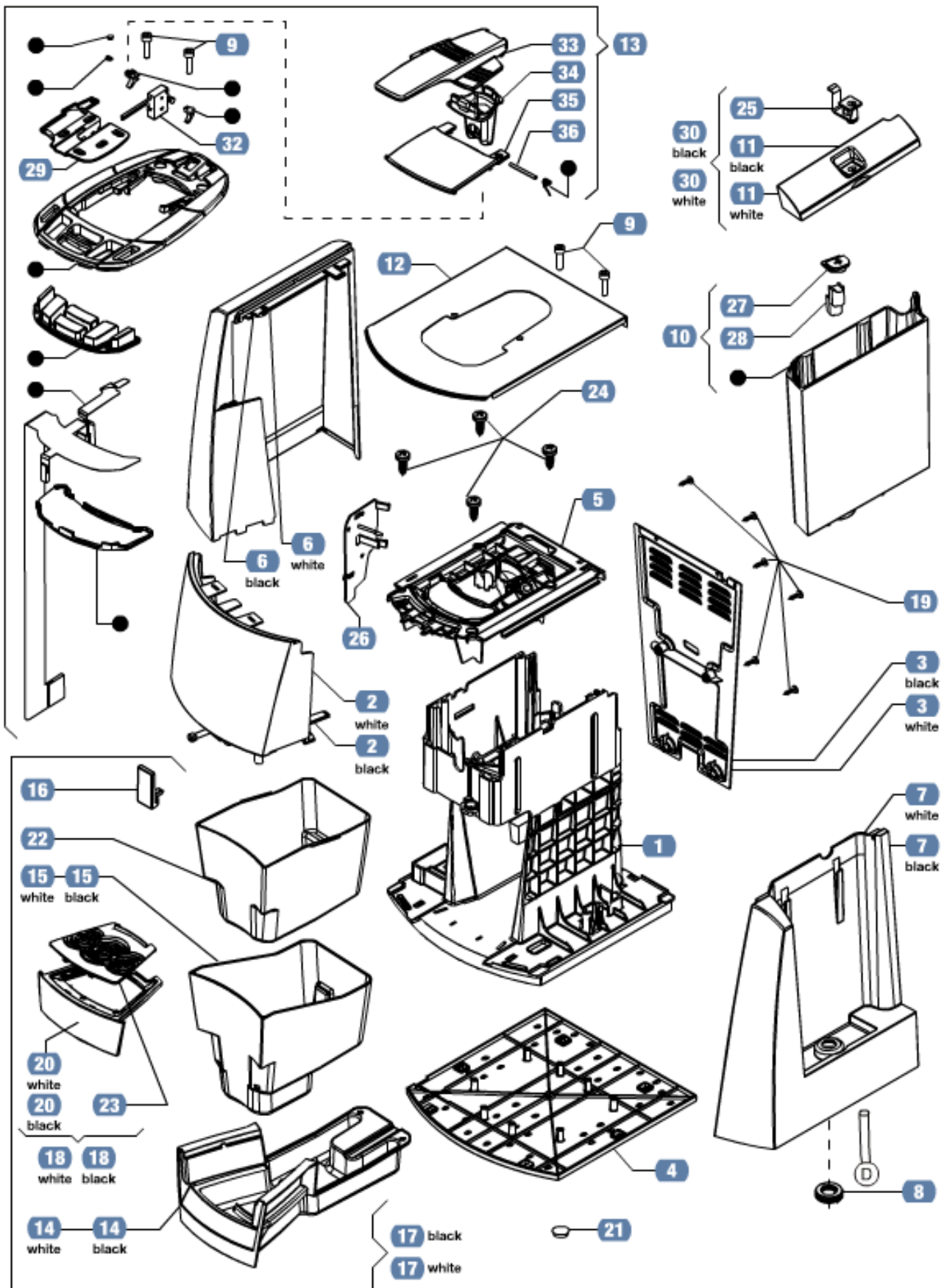
Pag. 14: BOILER UNIT

Pag. 16: ELECTRICAL COMPONENTS

Pag. 18: APPENDIX

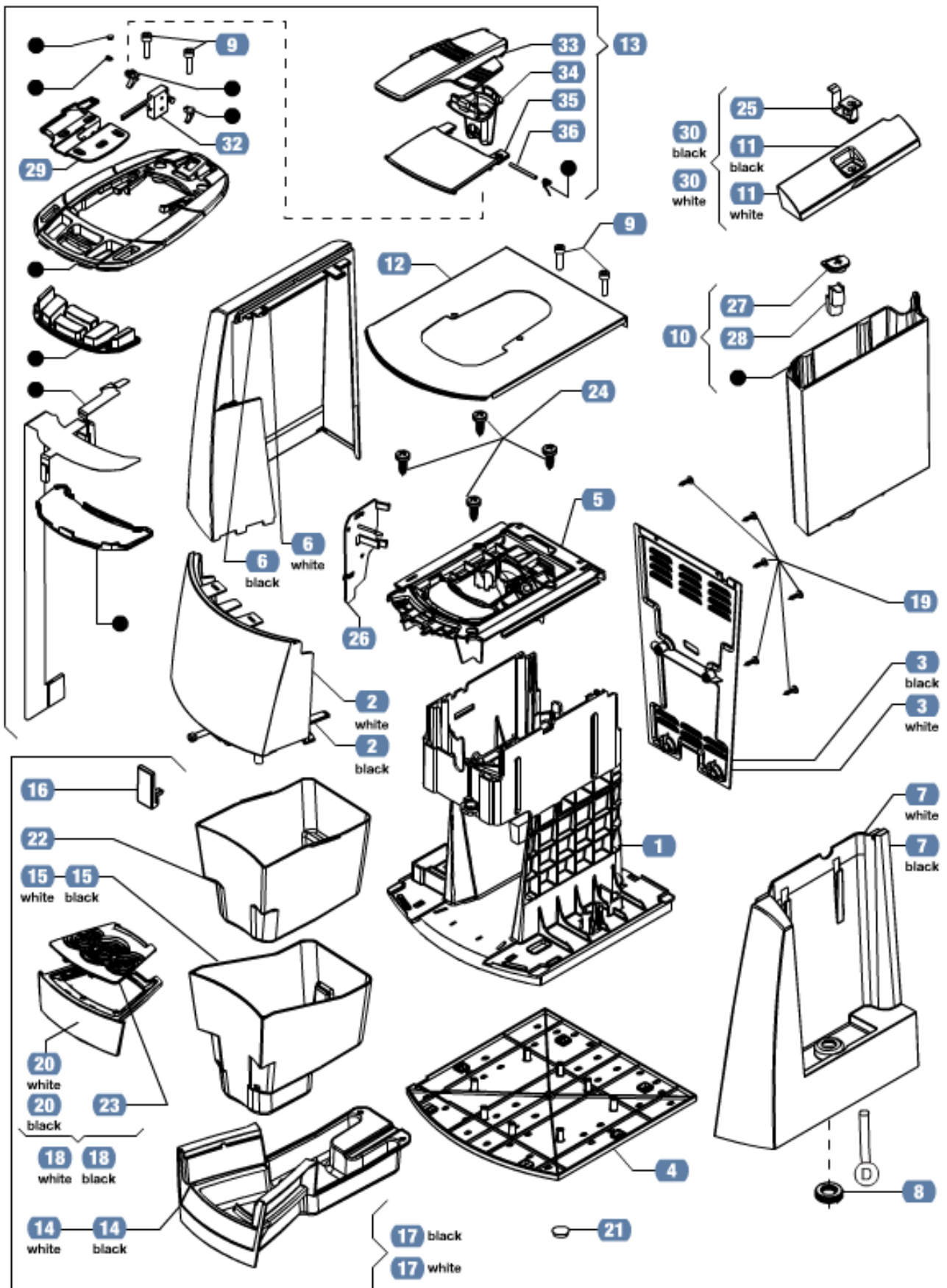
TAV: 1 - FRAME UNIT

REF.	PART NO.	DESCRIPTION	S.I.	MOQ
1	10070031	BASE		2
2	10070457	FRONT PANEL ASSY		5
2	10070662	FRONT PANEL ASSY		5
3	10070665	REAR CARTER W/HOLE		5
3	10062467	REAR CARTER W/HOLE		5
4	10070030	LOWER COVER FOR BASE		5
5	10060520	UPPER FRAME ASSY		3
6	10070472	BODY LH MOLDED		2
6	10070032	BODY LH MOLDED		2
7	10070672	BODY RH SCREEN PR. LB1100		2
7	10070470	BODY RH SCREEN PR. LB1100		2
8	10060118	GASKET		5
9	10060532	SCREW ALLEN M4X16		50
10	10062453	WATER TANK WITH LEVEL SENSOR ASSY		1
11	10062451	TANK COVER FOR LOCK		20
11	10070666	COPERCHIO SERBATOIO PER SERRATURA BLACK		20
12	10060545	UPPER GUARD		3
13	10062461	FRAME ASSY		1
14	10070043	BASE OF CAPSULE DRAWER MOLDED		3
14	10070461	BASE OF CAPSULE DRAWER LB1100		3
15	10070044	USED CAPSULE DRAWER MOLDED		1
15	10070463	USED CAPSULE DRAWER MOLDED LB1100		4
16	10070039	LEVER		30
17	10070456	CAPSULE DRAWER ASSY LB1100		1
17	10060539	CAPSULE DRAWER ASSY		1
18	10070371	FRAME + GRID ASSY		5
18	10070460	FRAME + GRID ASSY LB1100		5
19	10060526	SCREW 6X12 TORX		50
20	10070059	FRAME FOR DRAWER GRID		10
20	10070473	FRAME FOR DRAWER GRID		1
21	10060110	ADHESIVE FOOT - RUBBER		20
22	10070045	USED CAPSULE DRAWER		1
23	10060540	GRID		10
24	10060523	SCREW SELF-TAPPING 6X20		50



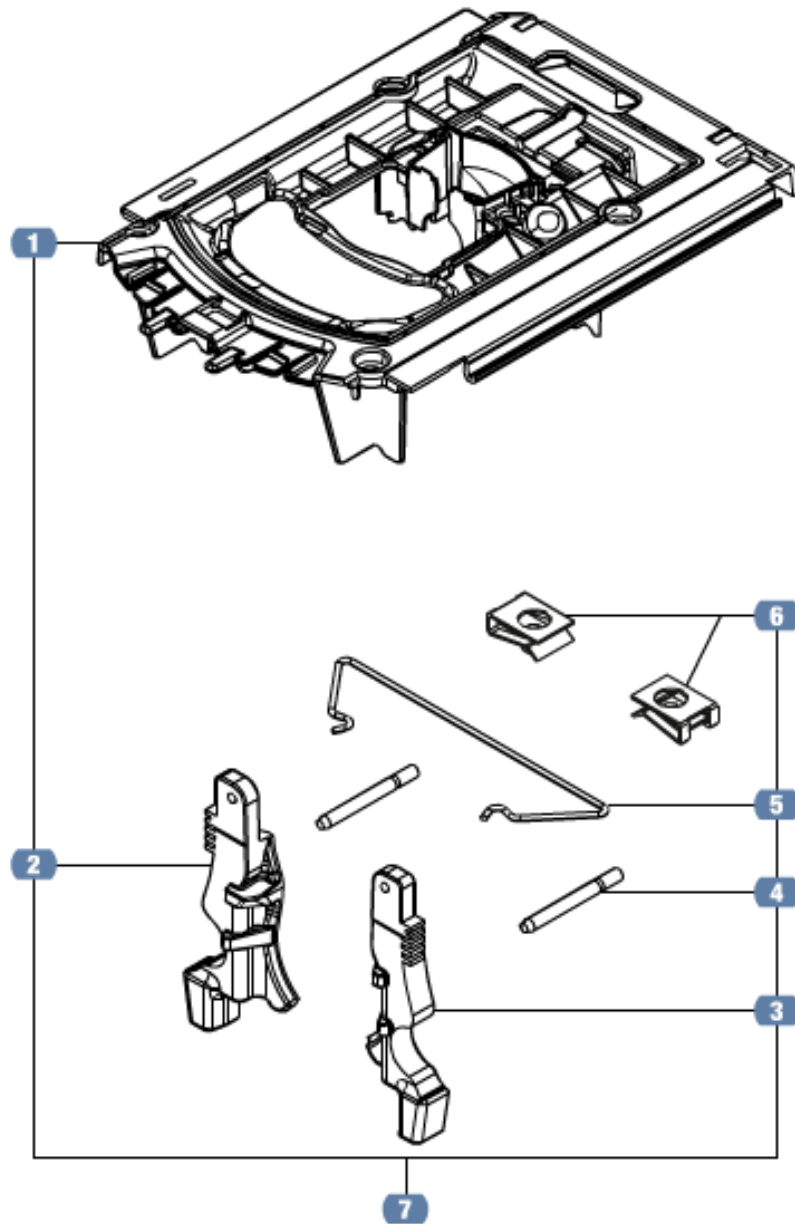
TAV: 1 - FRAME UNIT

REF.	PART NO.	DESCRIPTION	S.I.	MOQ
25	10062452	LOCK BOLT		5
26	10062468	BRACKET		50
27	10062454	CAP		30
28	10062455	FLOAT		2
29	10070105	CONTRO SPORTELLO STAMPATO		1
30	10062450	TANK COVER + LOCK		3
30	10070661	TANK COVER + LOCK		3
32	10070368	WIRED MICROSWITCH FOR CAPSULE RECOGN.		2
33	10060533	LEVA INSERIMENTO CIALDE VERNICIATA		2
34	10070070	CAPSULE PUSHER MOLDED		20
35	10060530	SPORTELLO VANO BICCHIERE VERNICIATO		1
36	10070106	PERNO FISSAGGIO LEVA CIALDE		1



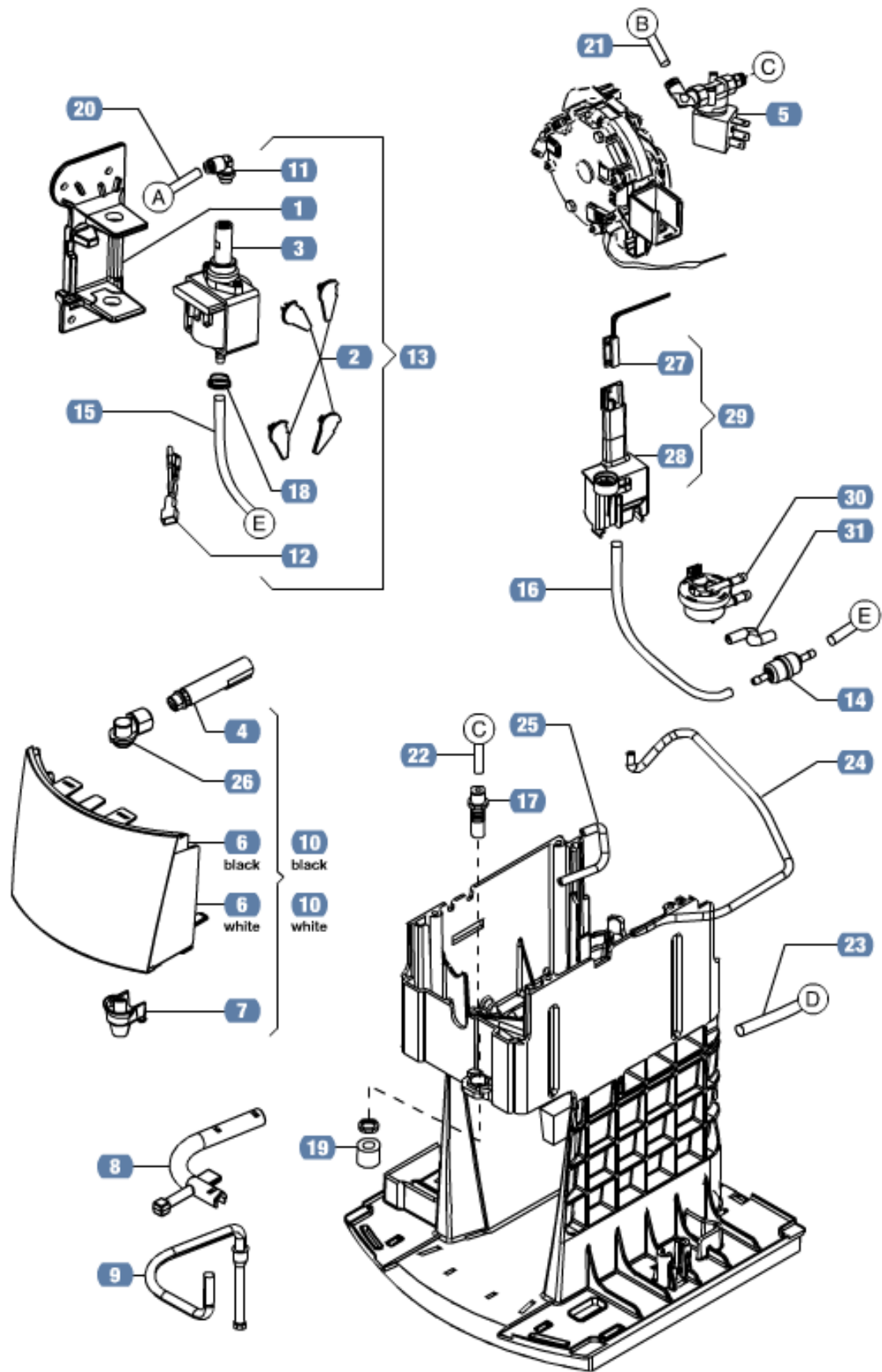
TAV: 2 - UPPER FRAME UNIT

REF.	PART NO.	DESCRIPTION	S.I.	MOQ
1	10070048	UPPER FRAME MOLDED		10
2	10070026	JAW LH		20
3	10070025	JAW RH		20
4	10070080	PIN		20
5	10060522	SPRING		50
6	10060521	CLIP SCREW EUROFIX FX70348		50
7	10060520	UPPER FRAME ASSY		3



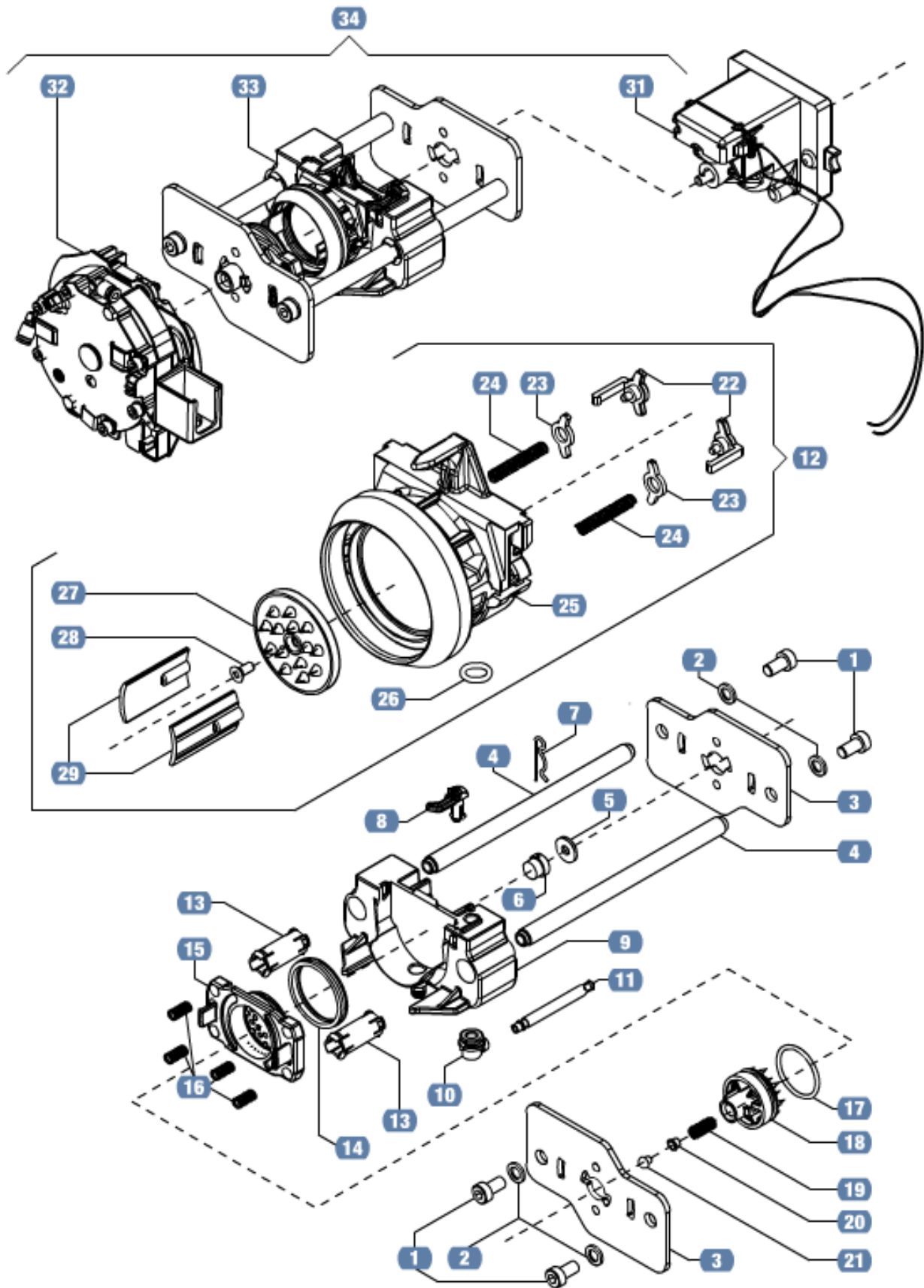
TAV: 3 - HYDRAULIC CIRCUIT

REF.	PART NO.	DESCRIPTION	S.I.	MOQ
1	10070042	SHOCK ABSORBER FOR PUMP		10
2	10070089	CLIP FOR SHOCK ABSORBER		50
3	257112 (*)	VIBRATIONSPUMP EP5 GLW		10
4	10070367	TELESCOPIC DISPENSER PIPE FRONT SIDE		30
5	10070380	2-WAY SOLENOID VALVE CONN.AND GRID ASSY		1
6	10070467	FRONT PANEL PAD PR. LB1100		5
6	10070669	FRONT PANEL PAD PR. LB1100		5
7	10070369	COFFEE DISPENSING SPOUT		30
8	10070091	HANDLE FOR STEAM PIPE		20
9	10070050	STEAM PIPE		2
10	10070457	FRONT PANEL ASSY		5
10	10070662	FRONT PANEL ASSY		5
11	10060114	FITTING - L-SHAPED 1/8 QUICK C.+ OR		10
12	10060487	THERMAL PROTECTOR T120 W/CABLE		10
13	10060485	VIBRATION PUMP ASSY		1
14	10079897	INLET FILTER		10
15	10060488	PIPE 4X8		50
16	10060489	PIPE 4X8		100
17	10060536	FITTING F.STEAM PIPE QUICK COUPL.		5
18	10060475	RING PLASTIC		25
19	10070211	GASKET		30
20	10060517	PIPE 4X2 PTFE		20
21	10060518	PIPE 4X2 PTFE (BOILER-SOLENOID V.)		50
22	10060519	PIPE 4X2 PTFE (SOL.V.-STEAM PIPE)		20
23	10060546	EXHAUST PIPE		50
24	10070474	PIPE 4X8 (FILTER-FLOWMETER)		20
25	10070476	PIPE 4X8 (DRAIN HOLE-FILTER) LB1100		50
26	10070094	FITTING - L-SHAPED		50
27	10062458	REED SENSOR WIRED		2
28	10062457	DRAIN HOLE WITH SENSOR SUPPORT		20
29	10062456	WATER TANK COUPLING + REED SENSOR SPARE PART NO LONGER AVAILABLE AT LAVAZZA.		1
30	10060367	FLOWMETER DIGMESA HOLE D.1		5
31	10070475	PIPE 4X8 (FILTER-FLOWMETER)		150



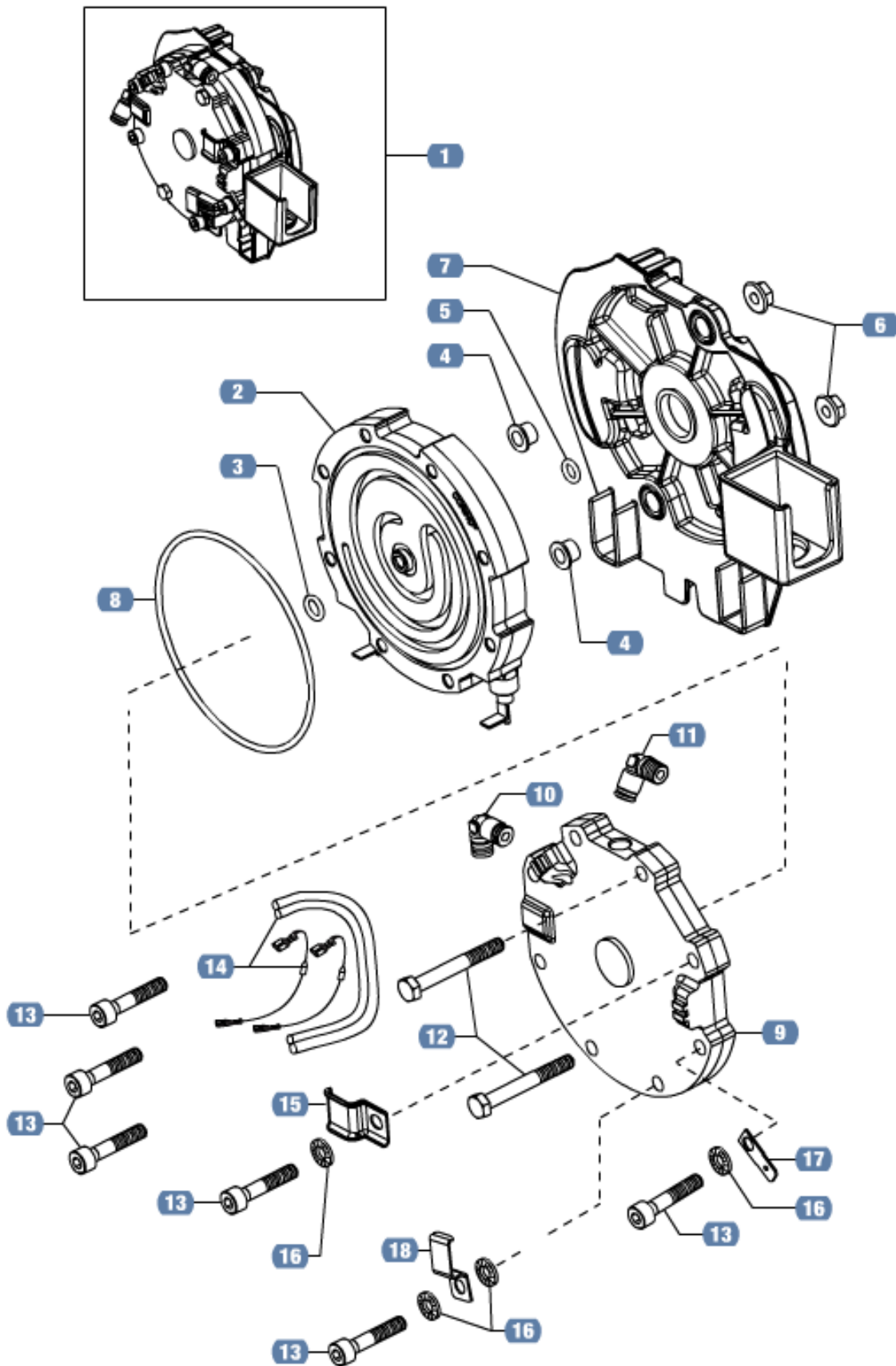
TAV: 4 - PERFORATOR UNIT

REF.	PART NO.	DESCRIPTION	S.I.	MOQ
1	10070145	SCREW ALLEN M8X16		50
2	10070146	WASHER 4X14		50
3	10070016	FRONT/REAR PLATE		2
4	10070027	COLUMN Ø 12		2
5	10070138	SHOCK ABSORBER		20
6	10070136	BUSHING		20
7	10070137	SPLIT PIN		50
8	10070062	RETAINER FOR BREWING CHAMBER		50
9	10070021	SLIDE		5
10	10060508	FITTING L-SHAPED		30
11	10070366	DISPENSING PIPE		50
12	10065511	PULL-OUT CAPSULE SUPPORT ASSY R2		2
13	10060507	BUSHING		50
14	10070119	LIP SEAL		30
15	10064672	CAPSULE PRESSER S.A.E.C.		5
16	10060502	SPRING Ø 0.8		100
17	10070129	O-RING 3131		50
18	10070017	PERFORATOR		10
19	10060501	SPRING FOR VALVE		50
20	10070078	VALVE INSERT		20
21	10070018	VALVE		50
22	10065514	CLIP FOR EJECTOR R2		10
23	10065515	GASKET		10
24	10070226	SPRING FOR EJECTOR		20
25	10065512	PULL-OUT CAPSULE SUPPORT R2		1
26	10070130	O-RING 106		50
27	10070108	LOWER FILTER PEEK		10
28	10070111	RETAINING SCREW		100
29	10065513	CAPSULE EJECTOR R2		10
31	10060509	ACTUATOR ASSY		1
32	10060491	BOILER ASSY		1
33	10065517	PERFORATOR ACTUATOR ASSY R2		2
34	10065516	ACTUATOR WITH BOILER ASSY R2		1



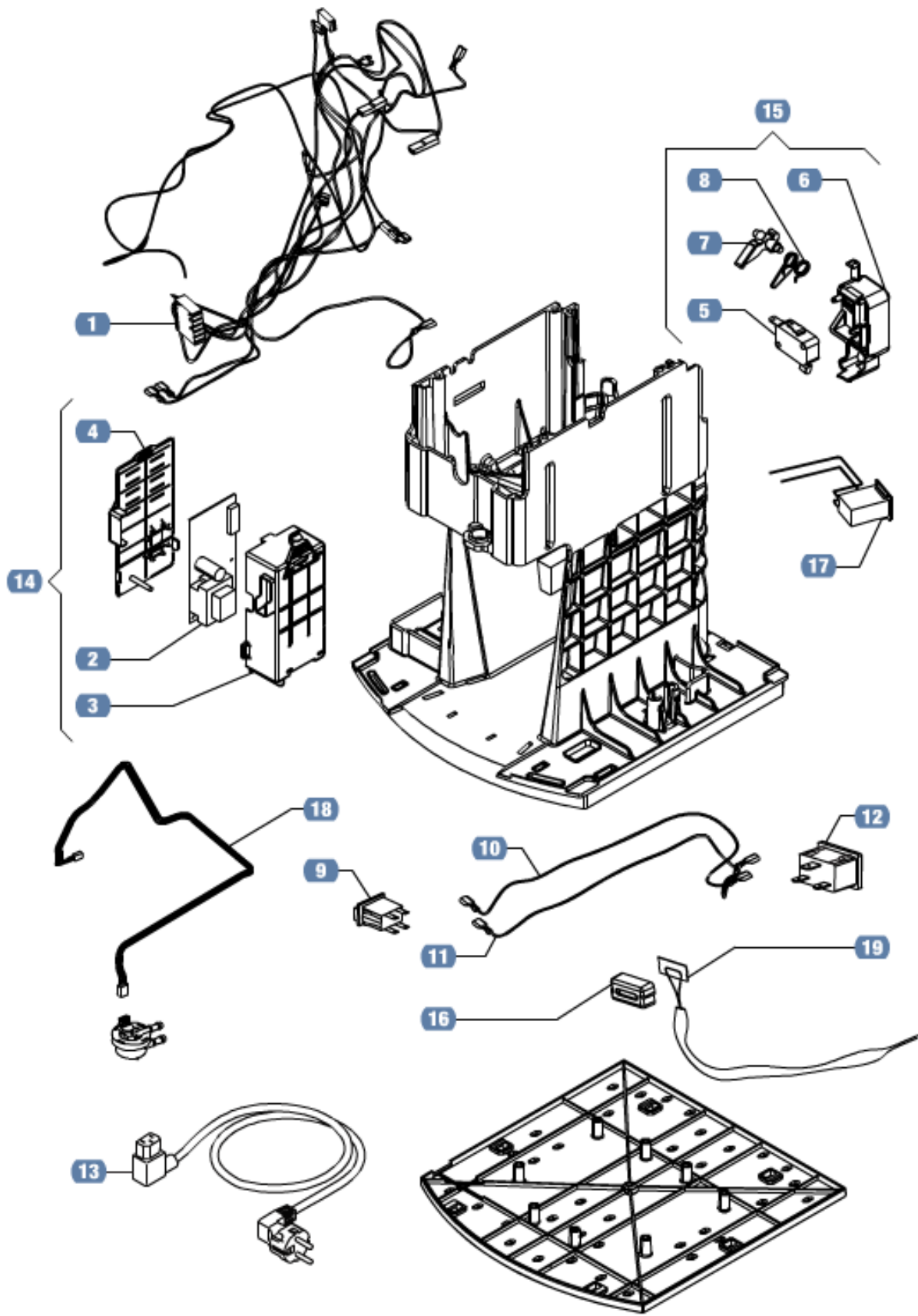
TAV: 5 - BOILER UNIT

REF.	PART NO.	DESCRIPTION	S.I.	MOQ
1	10060491	BOILER ASSY		1
2	10070049	HEATING PLATE ASSY		2
3	10060337	O-RING 2031 MARGUM		10
4	10060246	FLANGED BUSHING		20
5	10070147	O-RING 2021		100
6	10060495	LOCK NUT M 5 X 5		50
7	10070015	INSULATING FLANGE		10
8	10087093	O-RING 79X2 SIL.		10
9	10088268	UPPER BOILER PLATE W/O CONN.		5
10	10060129	FITTING - L-SHAPED 1/8 CON.QUICK C.		10
11	10060130	FITTING - L-SHAPED 8 X 1 QUICK C.		5
12	10060493	HEXAGON SCREW M 5 X 40		50
13	10060494	SCREW ALLEN M 5 X 25		100
14	10070388	THERMAL FUSE 167° W/SHEAT		10
15	10060251	SUPPORT FOR THERMAL FUSE		10
16	10060249	TOOTHED WASHER D.5		100
17	10060140	FASTON GROUND MALE 6.3 X 0.8		50
18	10060496	SUPPORT FOR PROBE		100



TAV: 6 - ELECTRICAL COMPONENTS

REF.	PART NO.	DESCRIPTION	S.I.	MOQ
1	10070462	WIRING WITH RFID CABLES		2
2	10064942	CONTROL ELECTRONIC BOARD LB1100 LP		1
3	10070057	ELECTRONIC HOUSING		10
4	10070058	COVER FOR ELECTRONIC HOUSING		10
5	10060542	MICROSWITCH FOR GRAVIMETRIC SYSTEM		10
6	10070096	GUARD FOR GRAVIMETRIC SYSTEM		20
7	10070095	LEVER		30
8	10060543	SPRING		50
9	10060111	BIPOLAR SWITCH		10
10	10060484	WIRING FOR OUTLET IEC BROWN		50
11	10060483	WIRING FOR OUTLET IEC BLUE		30
12	10060112	OUTLET IEC 4,8 GWT 750		10
13	10060397	POWER CORD IEC 1,5M 3X0,75 BLACK		5
14	10064943	BOX+ELECTR.BOARD ASSY LB1100 LP		1
15	10060541	GRAVIMETRIC SYSTEM ASSY		10
16	10060499	COVER FOR TEMP.PROBE		20
17	10062459	COUNTER WITH CABLES		5
18	10062460	FLOWMETER WIRING		10
19	10060498	TEMPER. PROBE KTY 83		2



REF.	PART NO.	DESCRIPTION	S.I.	MOQ
1	10070469	PACKING BOX FOUR COLOR PROCESS		1
1	10070671	PACKING BOX FOUR COLOR PROCESS		1
2	10060551	BOTTOM PIECE – INSIDE PACK.		5
3	10060550	TOP PIECE – INSIDE PACK.		5
4	10070374	PACKING BAG		10
5	10070468	OPERATING INSTRUCTIONS LB1100		1
6	10060255	FILTER ACQUA AROMA CREMA BRITA		1

