



DATE:
30/10/2015

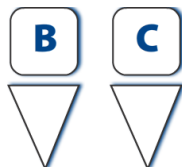
SPARE PARTS MANUAL

LB 850 CHIARA



Tel. 0039.011.2398429
 Fax 0039.011.23980466
 technicalservice@lavazza.it
 http://ts.inlavazza.it

LB 850 CHIARA
 Codice macchina
 10080015



TAV: 5 - BOILER ASSEMBLY

REF.	PART NO.	DESCRIPTION	S.I.	UDV
	10061827	SUPPORT FOR BOILER		5
	1006188	SCREW 3.5X15		
	1006188	THERMOSTAT BOILER 230V ASSY ALUMINIUM		
	10061791	PIPER 10 L=15M 60SR SILICONE		
	10061791	SELF-TAPPING 5X30		
	10061791	PIPE D.7,5X9,3 L=2 M SILICONE		
	10061115	PROTECTION FOR SPRING		10
	10061116	FITTING+PROTECTION ASSY L=185 MM		5
	10061116	HOSE CLAMP D.11/11,6		10
	10061116	THERMOSTAT 175° 1NT-15L-5126		20
	10061116	SCREW 4X8		50
LB 2300 SINGLE CUP 230V				14

- A) MACHINE MODEL:** Machine model.
- B) TABLE NUMBER:** Table identification number.
- C) TABLE TITLE:** Descriptive title of the table.
- D) REFERENCE:** reference number of the single items shown in the drawing.
- E) PART NO.:** Identification number of the item.
- F) DESCRIPTION:** item description.
- G) S.I.:** Service information regarding the relevant item.
- H) UDV (Required minimum quantity):** The required minimum quantity for each part. When the order is directly sent to Luigi Lavazza S.p.A. the quantity ordered must be equal or a multiple of the one indicated in the UDV column.



ATTENTION

Only original spare parts must be used. The manufacturer declines any responsibility arising from the use of unoriginal spare parts.



ENVIRONMENT

The replacement part should be delivered to the appropriate collection centres for disposal.

SPARE PARTS INDEX

Pag. 4: FRAME UNIT

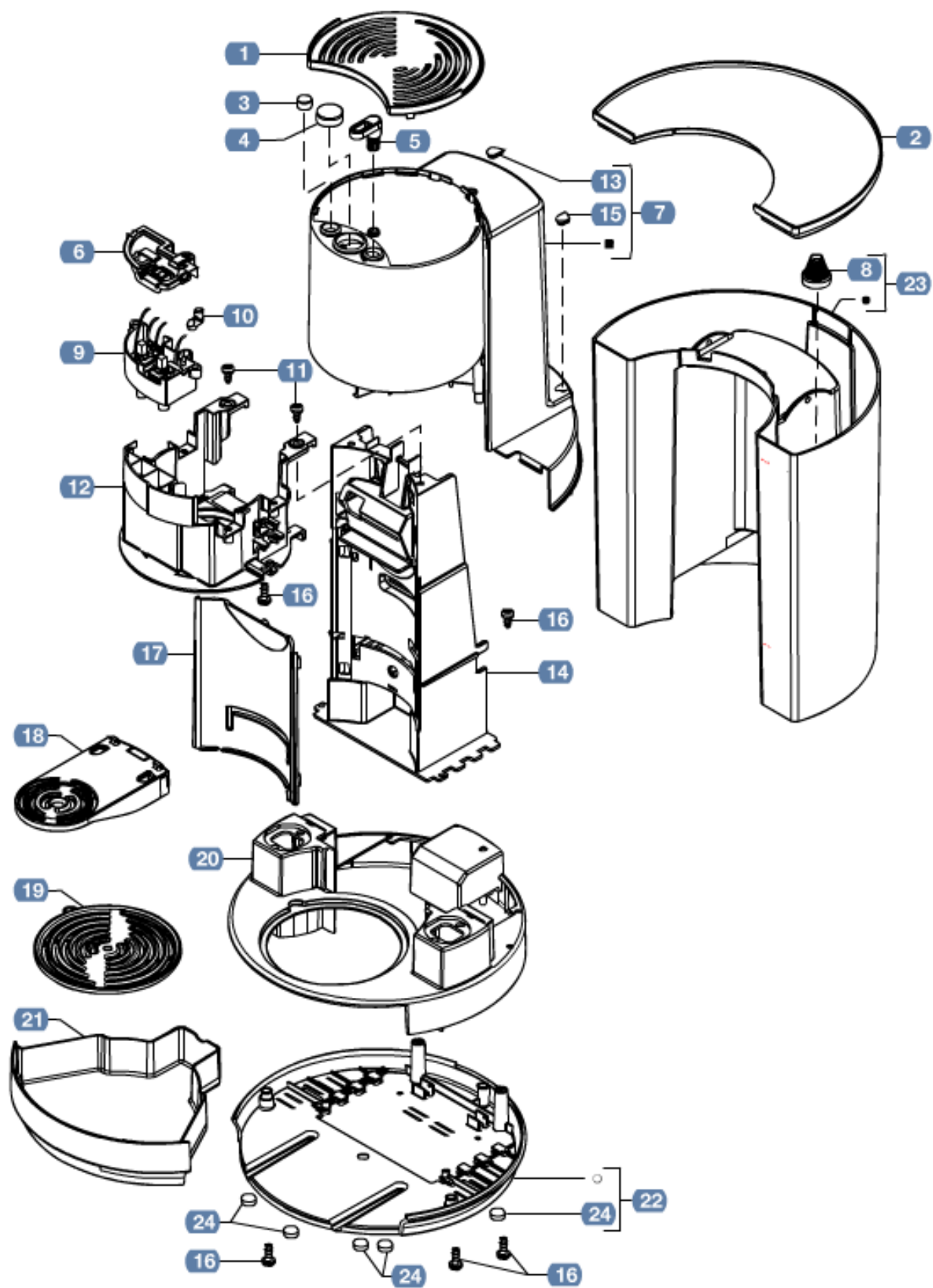
Pag. 6: BOILER UNIT

Pag. 10: HYDRAULIC AND ELECTRICAL CIRCUIT

Pag. 14: APPENDIX

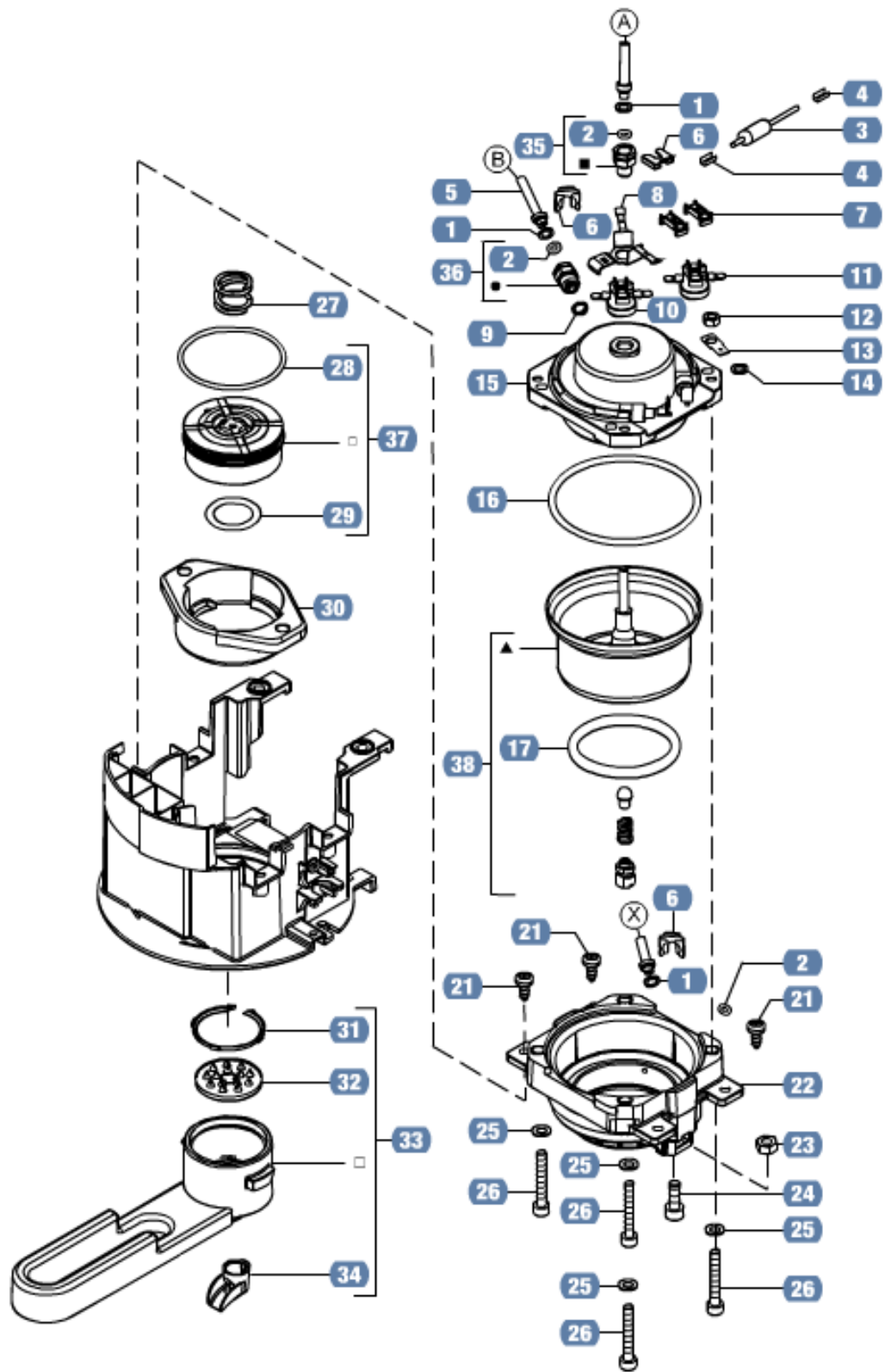
TAV: 1 - FRAME UNIT

REF.	PART NO.	DESCRIPTION	S.I.	MOQ
1	10088391	COVER FOR CUP WARMER		15
2	10088392	COVER FOR TANK		10
3	10088393	STEAM BUTTON		5
4	10088394	COFFE BUTTON		5
5	10088395	STEAM KNOB		10
6	10088396	COVER FOR KEYBOARD SPARE PART NO LONGER AVAILABLE AT LAVAZZA.		5
7	10088397	BODY PAD PR.WHITE ASSY		2
8	10088398	FILTER		5
9	10088399	SUPPORT FOR KEYBOARD + ELECTR.BOARD 230V		2
10	10088400	LED LIGHT GUIDE SPARE PART NO LONGER AVAILABLE AT LAVAZZA.		10
11	10087232	VITE PARKER 4.8 X13		50
12	10088401	SUPPORT FOR BOILER SPARE PART NO LONGER AVAILABLE AT LAVAZZA.		10
13	10088402	CAP LH SPARE PART NO LONGER AVAILABLE AT LAVAZZA.		10
14	10088403	FRAME		2
15	10088404	CAP RH SPARE PART NO LONGER AVAILABLE AT LAVAZZA.		10
16	10079887	SCREW PARKER 3.5X9.5		50
17	10088405	GUARD SPARE PART NO LONGER AVAILABLE AT LAVAZZA.		1
18	10088406	GRID HIGH POS. SPARE PART NO LONGER AVAILABLE AT LAVAZZA.		10
19	10088407	GRID LOW POSITION		10
20	10088408	BASE		2
21	10088409	DRIP TRAY		10
22	10088410	BASE WHITE ASSY SPARE PART NO LONGER AVAILABLE AT LAVAZZA.		5
23	10088411	TANK ASSY		4
24	10088412	FOOT		20



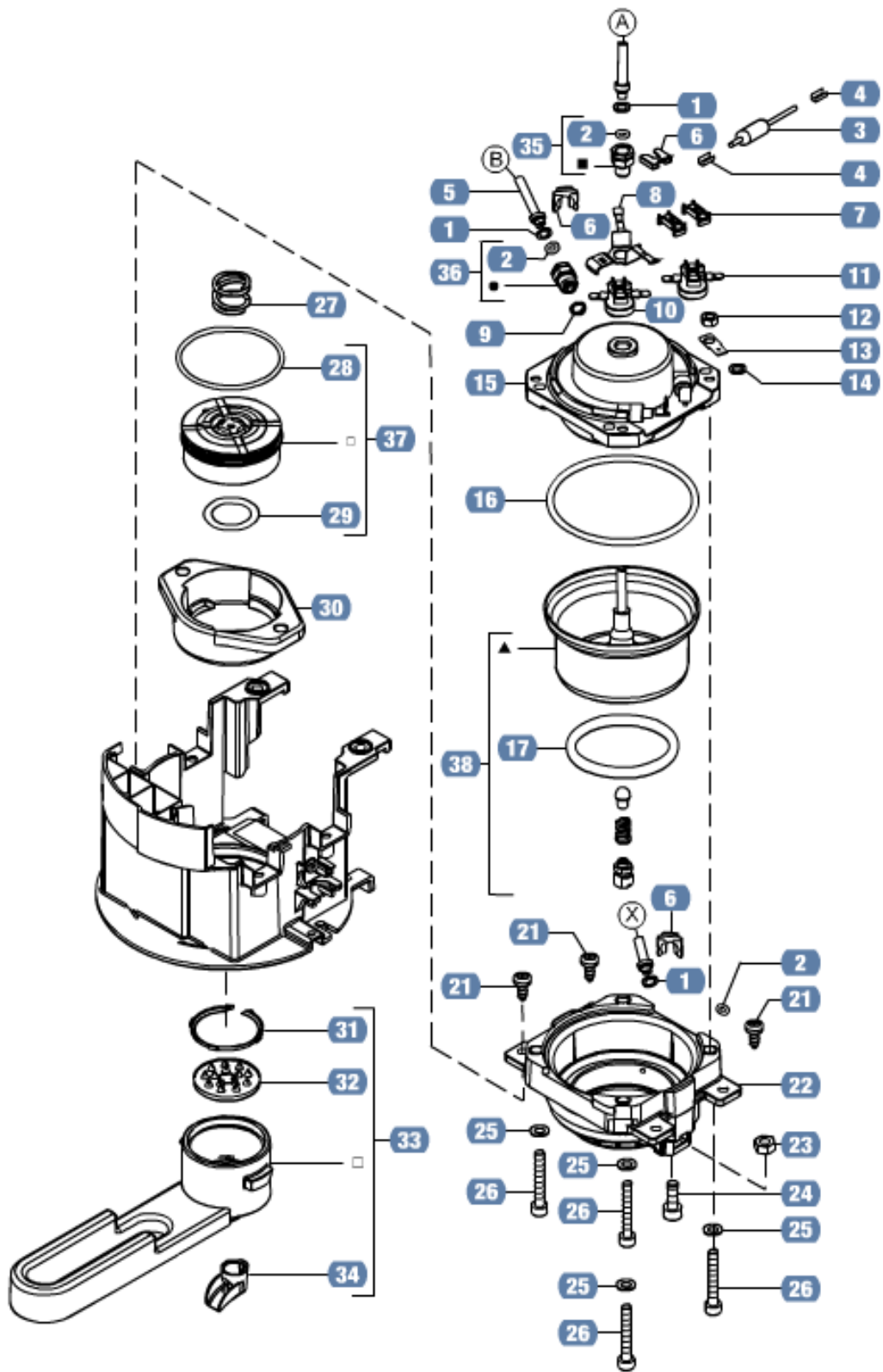
TAV: 2 - BOILER UNIT

REF.	PART NO.	DESCRIPTION	S.I.	MOQ
1	10079764	WASHER 4.2X6.8X0.5		100
2	10079854	O RING 2015 VITON		100
3	10079856	THERMAL FUSE 167° SPARE PART NO LONGER AVAILABLE AT LAVAZZA.		10
4	10088413	INARSPLICE CONNECTOR SPARE PART NO LONGER AVAILABLE AT LAVAZZA.		1
5	10088414	PIPE PTFE L=95MM D.4X2 SPARE PART NO LONGER AVAILABLE AT LAVAZZA.		10
6	10088180	SPRING		50
7	10088415	ADAPTER FOR THERMOSTAT	146	10
8	10060043	SUPPORT FOR THERM./THERM.FUSE		10
9	10088031	O-RING 2021 VITON		100
10	10088416	THERMOSTAT 104°C		10
11	10088417	THERMOSTAT 140°C		10
12	10060046	MUT M5		50
13	10079820	FASTON MALE 6.3X0.8		50
14	10060289	TOOTHED WASHER /5 SPARE PART NO LONGER AVAILABLE AT LAVAZZA.		1
15	10088418	UPPER BOILER 230V 800W		4
16	10060050	O-RING 4300 SILICONE		50
17	10087308	O-RING 6200 SILICONE 70 SH		50
18	10087309	VALVE ASSY		10
19	10087310	SPRING		50
20	10087311	VALVE SUPPORT BODY		20
21	10087232	VITE PARKER 4.8 X13		50
22	10088419	RING FOR BOILER		2
23	10060057	NUT M6		50
24	10088260	SCREW M6X16 SPARE PART NO LONGER AVAILABLE AT LAVAZZA.		50
25	10060073	WASHER - BRASS		50
26	10060058	SCREW M5X35		50
27	10088420	SPRING		50
28	10087306	O-RING 153 (49.21X3.53) SILICONE 70SHA		10
29	10060987	O-RING 144 (39,69X3,53) SIL. 70 SHA		50
30	10088421	RING FOR CAPSULE HOLDER		5
31	10060986	CIRCLIP SEEGER		10
32	10066942	PERFORATOR - PEEK 90GL30 BL		5



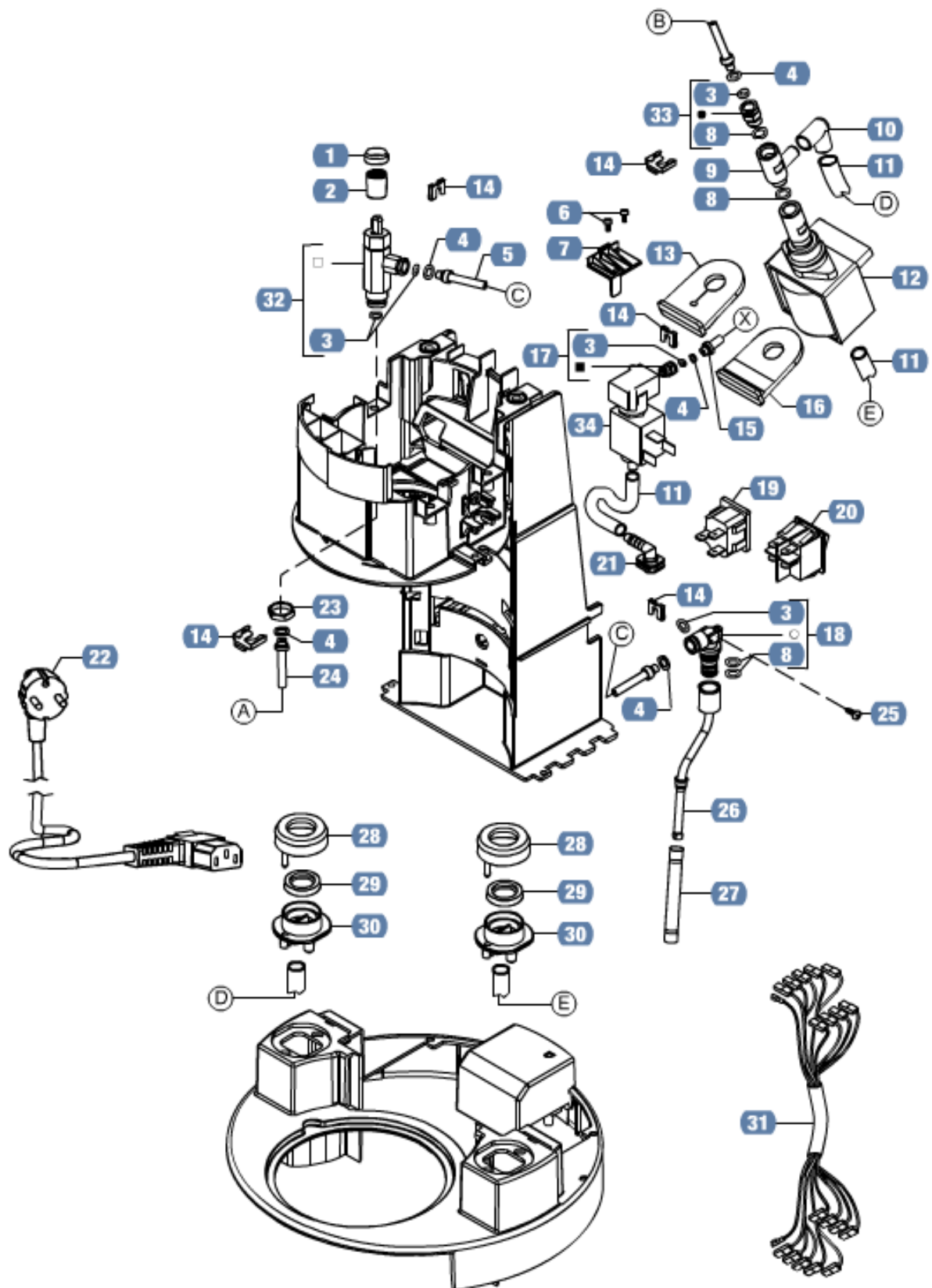
TAV: 2 - BOILER UNIT

REF.	PART NO.	DESCRIPTION	S.I.	MOQ
33	10088423	CAPSULE HOLDER ASSY		10
34	10088424	DISPENSING SPOUT		20
35	10088455	FITTING - STRAIGHT STEEL M8X1+OR		10
36	10088426	FITTING - STRAIGHT SPARE PART NO LONGER AVAILABLE AT LAVAZZA.		20
37	10088427	PISTON + O-RING		5
38	10060051	LOWER BOILER ASSY		5



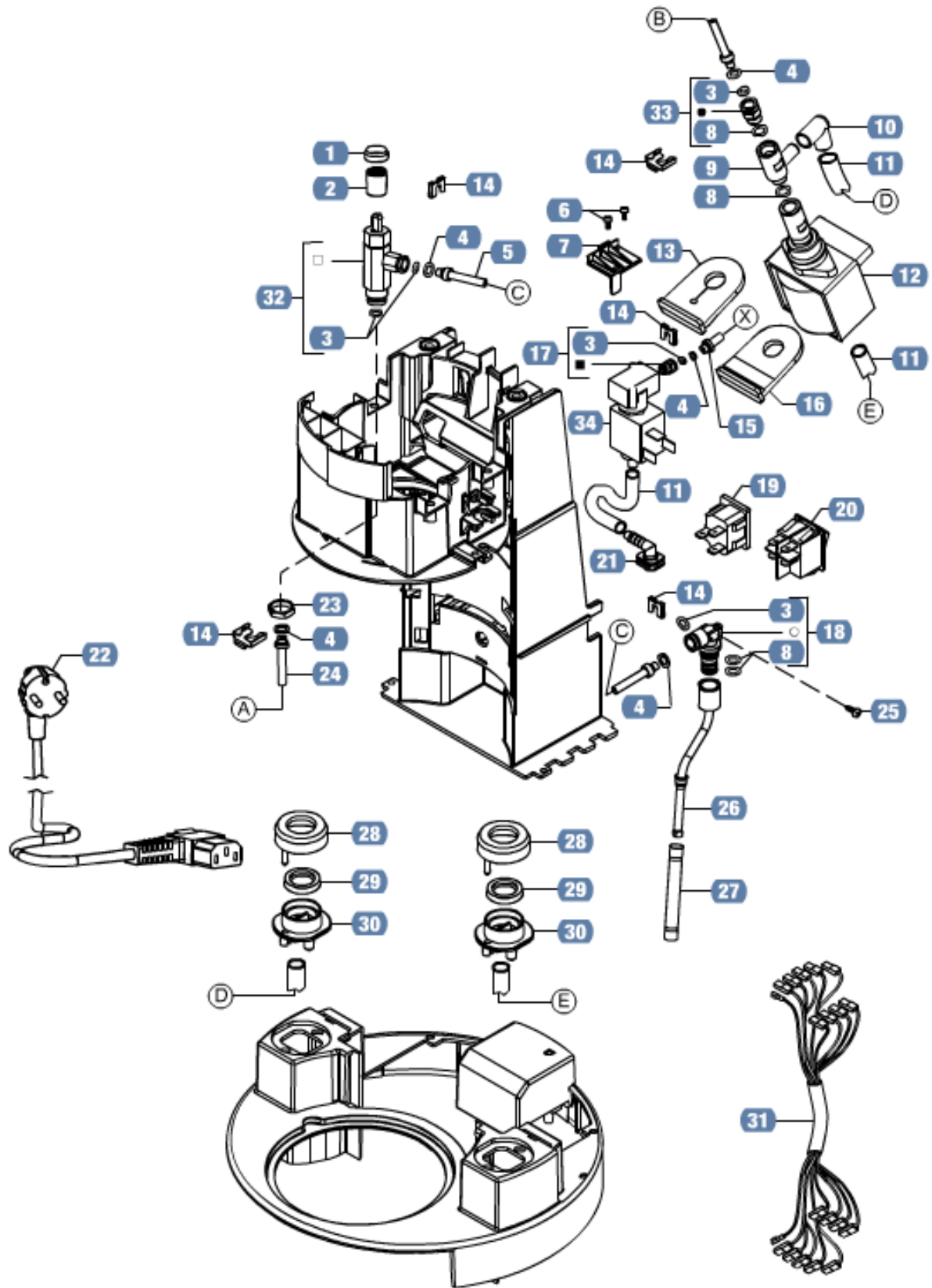
TAV: 3 - HYDRAULIC AND ELECTRICAL CIRCUIT

REF.	PART NO.	DESCRIPTION	S.I.	MOQ
1	10088428	RING SPARE PART NO LONGER AVAILABLE AT LAVAZZA.		5
2	10088429	COMPENSATION DEVICE SPARE PART NO LONGER AVAILABLE AT LAVAZZA.		5
3	10079854	O RING 2015 VITON		100
4	10079764	WASHER 4.2X6.8X0.5		100
5	10088414	PIPE PTFE L=95MM D.4X2 SPARE PART NO LONGER AVAILABLE AT LAVAZZA.		10
6	10060026	SCREW M3X6		50
7	10088431	SUPPORT SPARE PART NO LONGER AVAILABLE AT LAVAZZA.		1
8	10088069	O-RING 2025 VITON		100
9	10088432	SELF-PRIMING VALVE		5
10	10088433	FITTING – L-SHAPED SPARE PART NO LONGER AVAILABLE AT LAVAZZA.		10
11	10088434	PIPE SILICONE 4X8 (1 MT)		10
12	257112 (*)	VIBRATIONSPUMP EP5 GLW		10
13	10088436	SUPPORT FOR PUMP SPARE PART NO LONGER AVAILABLE AT LAVAZZA.		1
14	10088180	SPRING		50
15	10088437	PIPE PTFE L=140MM SPARE PART NO LONGER AVAILABLE AT LAVAZZA.		1
16	10088438	PUMP SUPPORT RUBBER SPARE PART NO LONGER AVAILABLE AT LAVAZZA.		5
17	10088451	FITTING – STRAIGHT +OR		5
18	10088450	FITTING - 90 DEG. + O-RING		5
19	10088341	CONNECTOR IEC GW 4.8 SPARE PART NO LONGER AVAILABLE AT LAVAZZA.		1
20	10088288	MAIN SWITCH		10
21	10088441	FITTING FOR DRAIN SPARE PART NO LONGER AVAILABLE AT LAVAZZA.		10
22	10088442	POWER CORD		20
23	10088443	NUT M14 SPARE PART NO LONGER AVAILABLE AT LAVAZZA.		10
24	10088444	PIPE PTFE L=170MM 4X2 SPARE PART NO LONGER AVAILABLE AT LAVAZZA.		1
25	10079887	SCREW PARKER 3.5X9.5		50
26	10088445	STEAM PIPE SPARE PART NO LONGER AVAILABLE AT LAVAZZA.		5
27	10088070	MILK FROTHING PIPE		5
28	10088129	TANK VALVE COVER		10
29	10079740	TANK GASKET DI-062		50



TAV: 3 - HYDRAULIC AND ELECTRICAL CIRCUIT

REF.	PART NO.	DESCRIPTION	S.I.	MOQ
30	10088446	VALVE BASE SPARE PART NO LONGER AVAILABLE AT LAVAZZA.		1
31	10088447	ELECTRIC CIRCUIT SPARE PART NO LONGER AVAILABLE AT LAVAZZA.		2
32	10088448	STEAM VALVE ASSY		5
33	10079627	FITTING 1/8 GAS QUICK COUPL.		1
34	10088449	3 WAY SOLENOID VALVE 230V 50HZ		10



REF.	PART NO.	DESCRIPTION	S.I.	MOQ
1	10088452	INSIDE PACKING EXP.POL.		10
2	10088453	PACKING BOX		1
3	10084319	OPER.INSTRUCTIONS LB 850		1

