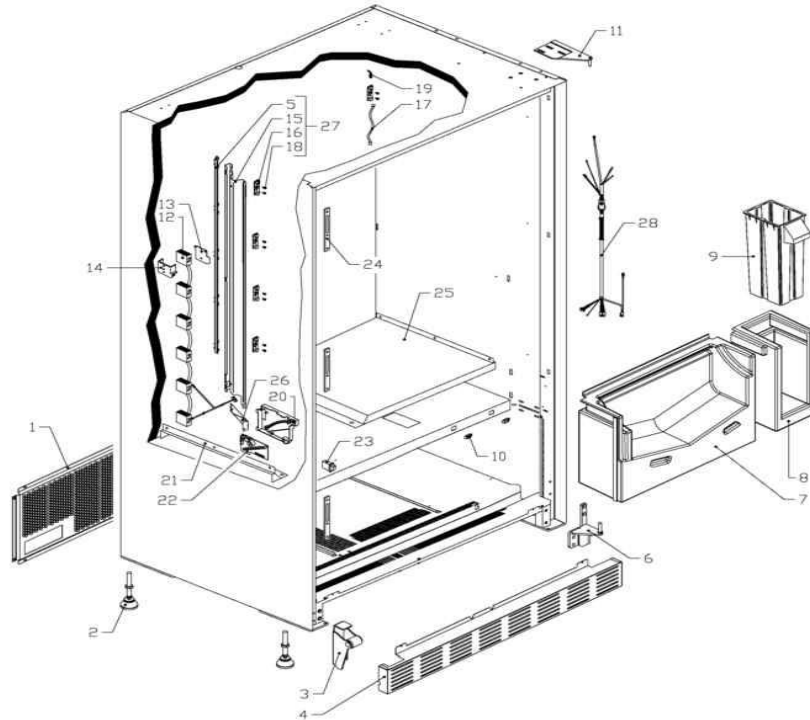
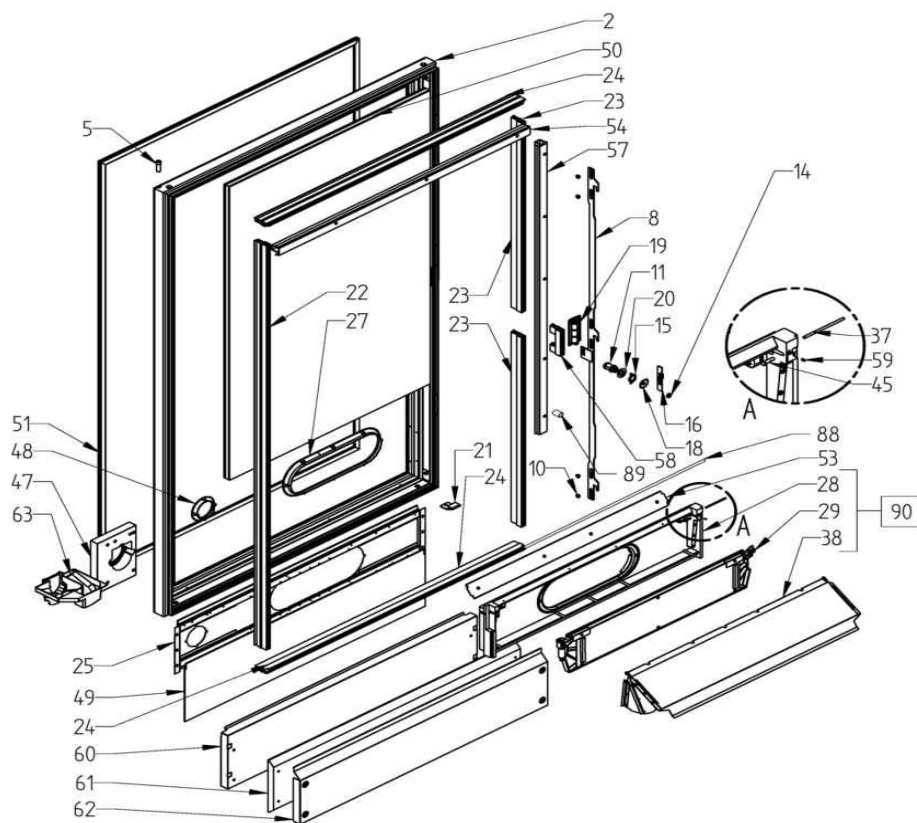


CABINET



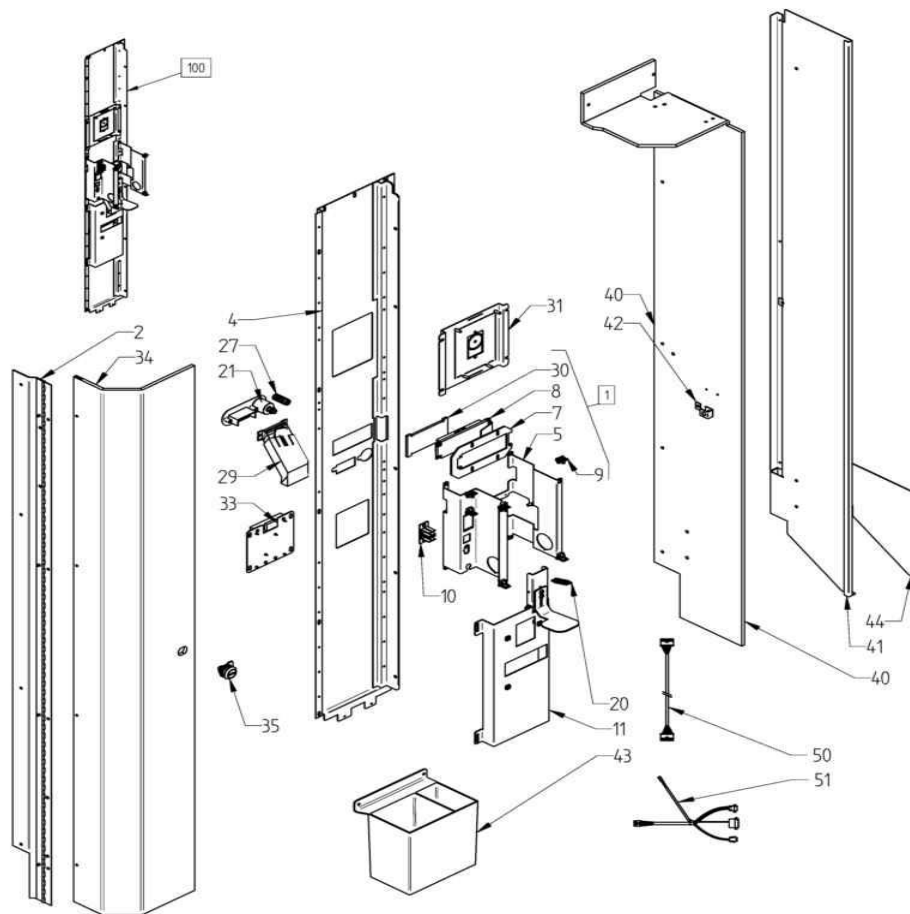
0001	621150	FAST 1050 REAR GRILL
0002	820437	COMPLETE FOOT WITH ANTISLIP BASE
0003	720488	DOOR SLIDEBRACKET
0004	855416	LEG COVER 1050 RAL7021
0005	621487	LED HOLDER ROD
0006	720544NN	DOOR ANTITHEFT LOWER HINGE
0007	826522	PRODUCT DELIVERY POCKET L
0008	750049	COIN BOX HOLDER
0009	401150	PLASTIC COIN BOX
0010	210059	RECEPTACLE
0011	720545NN	DOOR UPPER HINGE
0012	310419	LEFT SIDE HARNESS
0013	401140	COVER FOR FEMALE CONNECTOR HOLDER
0014	401139	FEMALE CONNECTOR HOLDER
0015	621486	LED LEFT COVER
0016	082782	BOARD WITH LED ASSEMBLY
0017	310383	LED BAR CONNECTION LOOM
0018	210289	PLASTIC RIVET RICHCO SR-3045-B RMS-52
0019	310384	BOND FOR LED BOARDS
0020	401131	PHOTOCELL COVER
0021	621108	AIR CONVEYOR RAL 9005
0022	082645	REFLECTION PHOTOCELL BOARD
0023	310047	NO MICROSWITCH ARCOLECTRIC C3006CB-FUSIT
0024	621555ZI	EXTERNAL LOCK BLADE
0025	621147	ASPIRATION AIR CONVEYOR
0026	621488	LED LOWER LEFT COVER
0027	820414	LEFT SUPPORT + LED ASSEMBLY
0028	310436	DOOR HARNESS

DOOR



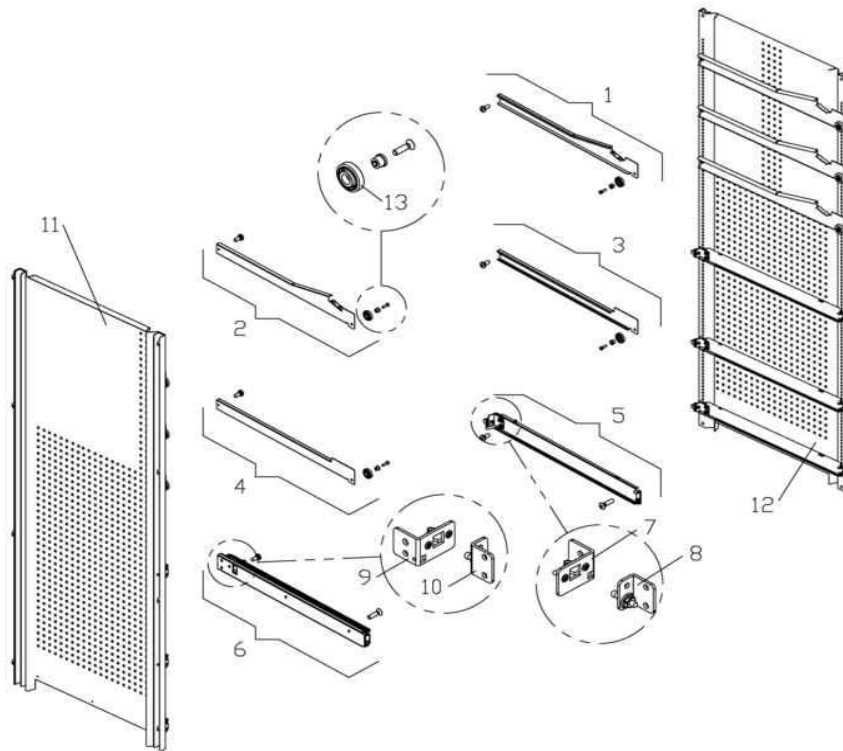
0002	826642	DOOR FRAME
0005	700435	BUSH FOR DOOR ROTATION
0008	726499	DOOR CLOSING ANTI-THEFT BAR
0010	700434	BUSH FOR CLOSING ROD SLIDING
0011	210249	RIELDA KEY LOCK MOD.5011 + KEY
0014	ZZZZ01	NOT PRESENT CODE
0015	624776	ANTIROTATION LOCK
0016	726286ZI	120° LOCK RACK
0018	624672	120° LOCK FRAME
0019	401134	DOOR HANDLE
0020	700505	LOCK PROTECTION WASHER
0021	631085	DOOR WHEEL RAISER
0022	400867	LEFT GASKET PROFILE (L=1620)
0023	400841	LOWER RIGHT GASKET PROFILE (L=760)
0024	400930	HORIZONTAL GASKET PROFILE (L=999)
0025	726283NN	DOOR HORIZONTAL BLACK ROD 900
0027	400857	FRAME DELIVERY DOOR (RAL7021)
0028	400911	DELIVERY DOOR SUPPORT 1050
0029	826478	DELIVERY DOOR 1050/900FV
0037	700506	HATCH ROTATION PIN
0038	726402	ANTI THEFT BLADE REINF. 1050
0045	700502	ROTATION THREADED PIN
0047	400928	COIN RETURN SUPPORT
0048	400844	CHANGE GIVER FRAME
0049	401265	DOOR LEXAN PANEL
0050	420068	DOUBLE GLAZ. 3+3/12/4 BE AR 1176x775x22
0051	221063	MAGNETIC GASKET 1638X988 I.M.11,6X3
0053	624614NN	LOWER GLASS STOP L.760
0054	401100	HORIZONTAL GLASS HOLDER
0057	401101	RIGHT GLASS HOLDER
0058	401104	RIGHT GASKET HOLDER
0059	201139	INOX DOWEL M3X6 UNI5923
0060	726458	LOWER LED HOLDER 1050
0061	401258	DOOR LOWER INSULATING PANEL 1050
0062	627249	LOWER COVER FOR INSULATING PANEL 1050
0063	726459	COIN CHUTE
0088	221054	GASKET
0089	400961	PVC SOFT FOOT TH. 18 EXT.D. 18,5
0090	826668	DELIVERY DOOR ASSEMBLY 1050

COIN MECHANISM



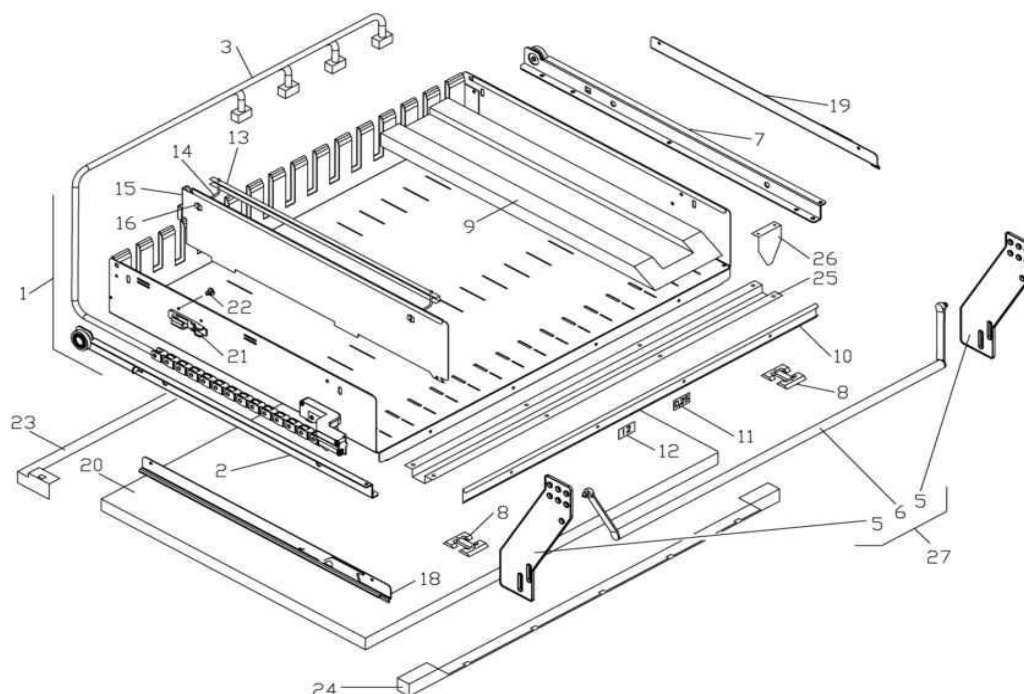
0001	ZZZZ01	NOT PRESENT CODE
0002	726263	BOX DOOR SUPPORT
0004	726441NN	BLACK FRONT PANEL
0005	726294	MAINBOARD/DISPLAY SUPPORT
0007	400904	SOSTEGNO DISPLAY 2X20
0008	014565	DISPLAY LCD 20X2 BLUE+HARNESS L=380 2006
0009	400862	CLIP FOR BOARD SUPPORT
0010	082720	24VOLT POWER DISTRIBUTION PCB
0011	826528	COIN MECH SUPPORT + REJECT LEVER
0020	211040	COIN RETURN BUTTON SPRING
0020	211063	SPRING 0.8X9XL
0021	826456	COIN RECOVERY PUSH BUTTON ASSY (RAL7021)
0027	211040	COIN RETURN BUTTON SPRING
0029	826494	COIN CHUTE
0030	400849	DISPLAY PLATE
0031	726442	PAYMENT SYSTEM SUPPORT
0033	750035	PUSH BUTTON PANEL
0034	400875	PAYMENT SYSTEMS BOX DOOR
0035	210320	BLOCK LOCK WITH CAM
0040	400856	PAYMENT SYSTEMS BOX FRAME
0041	621491	DOOR LED SUPPORT
0042	624567	COUPLER BOX LOCK
0043	401225	COIN CONVEYOR
0044	220937	RETROREFLECTOR LABEL
0050	310437	KEYBOARD CABLE
0051	310296	OMNIA UNIVERSO CHANGE GIVER INTERFACE
0100	826794	MONTAG.PANNELLO FRONT FAST RAL 9005

TRAY SUPPORT SIDES



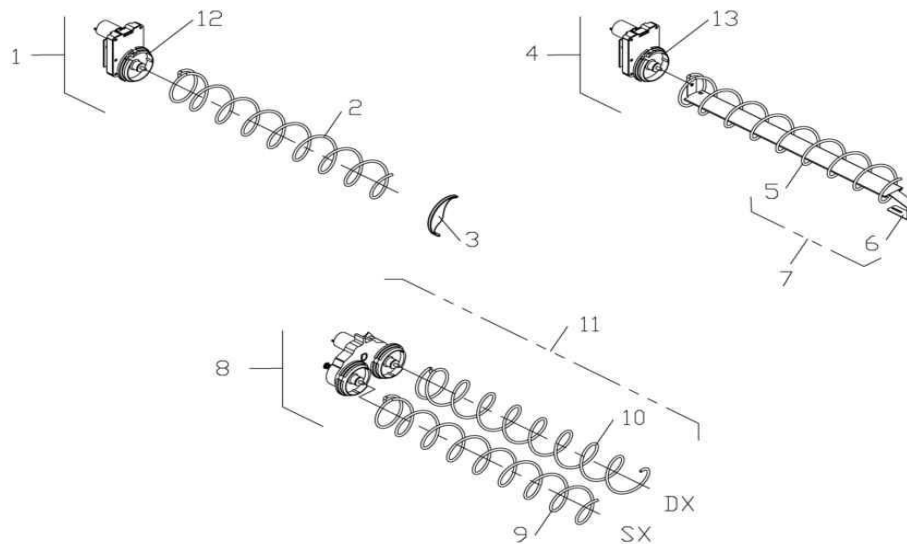
0001	801003	RIGHT FIXED GUIDE
0002	801004	LEFT FIXED GUIDE
0003	801006	RIGHT FIXED GUIDE - STRAIGHT
0004	801005	LEFT FIXED GUIDE - STRAIGHT
0005	801038	TELESCOPIC LEFT SLIDE (GT)
0006	801037	TELESCOPIC RIGHT SLIDE (GT)
0007	830515	FEMALE LOCK RIGHT BRAKET
0008	830519	MALE LOCK BRAKET RIGHT/LEFT
0009	830518	FEMALE LOCK LEFT BRAKET
0010	830519	MALE LOCK BRAKET RIGHT/LEFT
0011	830554	LEFT SIDE 6 TRAYS 2 BOTTL. (T.G.) ASS.
0011	830558	1TEMP LEFT SIDE
0011	830986	3TEMP LEFT SIDE
0012	830559	RIGHT SIDE 6 TRAYS 2 BOTTL. (T.G.) ASS.
0012	830563	1TEMP RIGHT SIDE
0012	830987	3TEMP RIGHT SIDE
0013	400729	TRAY SLIDE WHEEL

TRAY



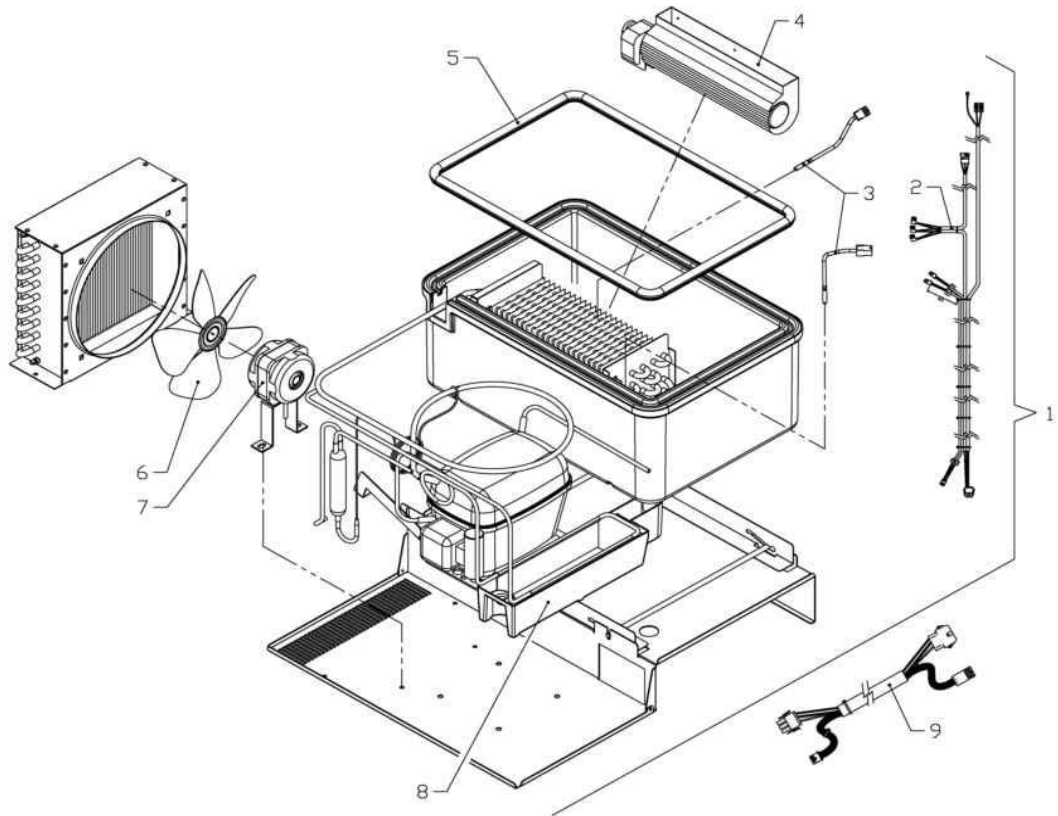
0001	801029	TRAY ASSEMBLY "L" FOR FIXED GUIDES
0001	801030	TRAY ASSEMBLY (L) FOR TELESCOPIC SLID
0002	830143NN	LEFT SLIDING GUIDE
0003	750077	TRAY CHAIN HARNESS L
0005	631383	BRACKET FOR BOTTLES/CANS DISPENSING BAR
0006	750044	BOTTLE DISPENSING BAR (L)
0007	830142NN	RIGHT SLIDING GUIDE
0008	630481	TRAY STOPPING SPRING
0009	400838	SPIRAL SUPPORT BLACK
0010	400723	PRICE LABEL HOLDER L.742
0011	220064	PRICES SILKSCREEN BOTH SIDES
0011	220165	PRICE LABELS SHEET
0011	220201	NUMBER LABELS (2-3-4-5)
0011	220841	PRICE LABELS SHEET EUR/POUNDS
0012	220157	SELECTION INDICATOR PANEL (11-70)
0013	400594	ADJUSTABLE SIDE PLATE-BLACK L=398
0014	211002	PIN FOR SPRING ADJUSTABLE
0015	630779NN	DIVIDER (BLACK)
0016	211028	SPRING FOR DIVIDER SUPPORT PIN
0018	210251	LEFT TRAY SUPPORT TYPE CB69410
0019	210253	RIGHT TRAY SUPPORT TYPE CB69411
0020	631108	INSULATING PANEL L SIZE
0021	401141	PEG FOR TRAY HARNESS
0022	210287	PLASTIC RIVET RICHCO SR-4060-BK
0023	631109	REAR FRAME FOR INSULATING PANEL
0024	631110	FRONT FRAME FOR INSULATING PANEL
0025	630546	TRAY REINFORCED SUPPORT (L)
0026	401063	CANS DEFLECTOR
0027	850304	DISPENSING BOTTLE BAR SIZE (L)

TRAY ACCESSORIES



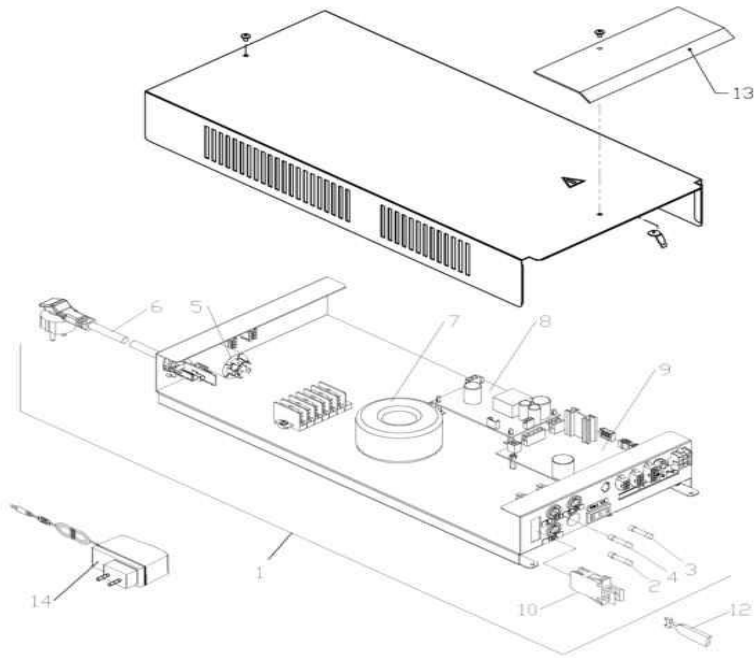
0001	830290	MOTOR GROUP FOR SINGLE SPIRAL
0002	211013NN	SPIRAL PITCH 45/9 PRODUCTS BLACK
0002	211014NN	SPIRAL PITCH 20/20 PRODUCTS BLACK
0002	211017NN	SPIRAL PITCH 42 BLACK
0002	211019NN	SPIRAL PITCH 26/16 PRODUCTS BLACK
0002	211027NN	SPIRAL PITCH 36/11 PRODUCTS BLACK
0002	211043NN	SPIRAL PITCH 80/5 PRODUCTS BLACK
0002	211054NN	SPIRAL PITCH 100/4 PRODUCTS BLACK
0002	211064NN	SPIRAL P.19 Ø78 BLACK
0002	211081NN	SPIRAL PITCH 30/13 PRODUCTS BLACK
0002	211082NN	SPIRAL PITCH 35 Ø78 BLACK
0002	211083NN	SPIRAL PITCH 55/7 PRODUCTS BLACK
0002	211084NN	SPIRAL PITCH 78/5 PRODUCTS BLACK
0002	211085NN	SPIRAL PITCH 64/6 PRODUCTS BLACK
0002	211086NN	SPIRAL PITCH 54/7 PRODUCTS BLACK
0002	211087NN	SPIRAL PITCH 65 Ø78 BLACK
0002	ZZZZ01	NOT PRESENT CODE
0003	400800	BLACK SPIRAL EJECTOR
0004	830420	MOTOR GROUP/BLUE HOOK
0005	211244NN	SPIRAL P.75 6PRODUCTS FOR BAYONET SUPPOR
0005	211245NN	SPIRAL P.88 5SANDWICH FOR BAYONET SUPPOR
0005	211246NN	SPIRAL P.80 5BOTTLE/CAN FOR BAYONET SUPP
0005	211247NN	SPIRAL P.64 7PRODUCTS BAYONET SUPPORT
0006	631459	BAYONET SYSTEM PRODUCT SUPPORT
0007	855484	CLICK MECH SUPPORT+SPIRAL 6 PET/CAN KIT
0007	855485	CLICK MECH SUPPORT+SPIRAL 5 SANDW. KIT
0007	855486	CLICK MECH SUPPORT+SPIRAL 5 PET/CAN KIT
0007	855487	CLICK MECH SUPPORT+SPIRAL 7 PRODUCTS KIT
0008	830291	MOTOR GROUP FOR DOUBLE SPIRAL
0009	211014NN	SPIRAL PITCH 20/20 PRODUCTS BLACK
0009	211017NN	SPIRAL PITCH 42 BLACK
0009	211019NN	SPIRAL PITCH 26/16 PRODUCTS BLACK
0009	211027NN	SPIRAL PITCH 36/11 PRODUCTS BLACK
0009	211043NN	SPIRAL PITCH 80/5 PRODUCTS BLACK
0009	211081NN	SPIRAL PITCH 30/13 PRODUCTS BLACK
0009	211085NN	SPIRAL PITCH 64/6 PRODUCTS BLACK
0009	211086NN	SPIRAL PITCH 54/7 PRODUCTS BLACK
0010	211039NN	RIGHT SPIRAL P64/6 PRODUCTS BLACK
0010	211041NN	RIGHT SPIRAL PITCH 36/11 PRODUCTS BLACK
0010	211042NN	RIGHT SPIRAL PITCH 42/9 PRODUCTS BLACK
0010	211088NN	RIGHT SPIRAL PITCH 54/7 PRODUCTS BLACK
0010	211089NN	RIGHT SPIRAL PITCH 26/16 PRODUCTS BLACK
0010	211090NN	RIGHT SPIRAL PITCH 30/13 PRODUCTS BLACK
0010	211091NN	RIGHT SPIRAL PITCH 80/5 PRODUCTS BLACK
0010	ZZZZ01	NOT PRESENT CODE
0011	855373	DOUBLE SPIRALS P.54+MOTOR KIT
0011	855700	DOUBLE SPIRALS P.26+MOTOR KIT
0011	855701	DOUBLE SPIRALS P.30+MOTOR KIT
0011	855702	DOUBLE SPIRALS P.36+MOTOR KIT
0011	855703	DOUBLE SPIRALS P.42+MOTOR KIT
0011	855705	DOUBLE SPIRALS P.64+MOTOR KIT
0011	855706	DOUBLE SPIRALS P.80+MOTOR KIT
0012	400127	BLACK SPIRAL HOOK
0013	400625	HOOK FOR SPIRAL HOLDER BLUE

REFRIGERATOR GROUP



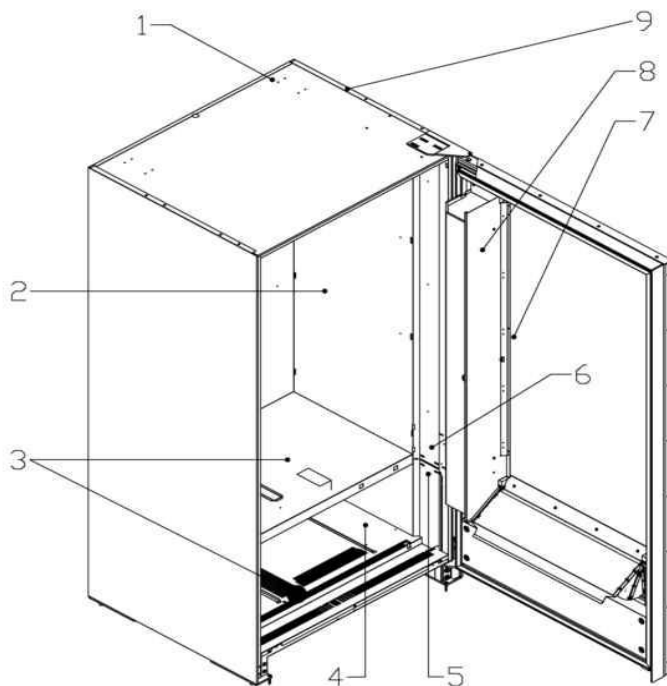
0001	840232	GRUPPO FRIGO FAST EMBRACO
0002	310323	TANGENTIAL FAN HARNESS
0003	310455	TEMPERATURE PROBE
0004	410109	TANGENTIAL FAN TGA 60/1 300/30 180°
0005	221059	EVAPORATOR BOX GASKET
0006	410371	230MM FAN
0007	410106	MOTORFAN WITH THERMAL PROTECTION
0008	400840	CONDENSATE DRAIN PAN
0009	ZZZZ02	NOT PRESENT CODE IN THIS MODEL

POWER SUPPLY UNIT



0001	845282	POWER SUPPLY UNIT ASSEMBLY
0002	300425	DELAYED 6,3X32 16 A FUSE
0003	300415	WEBER 6,3X32 6,3 A FUSE
0004	300410	WEBER 6X30 3,15 A FUSE
0005	C300066	NET FILTER
0006	300133	POWER SUPPLY LOOM
0007	310183	TRANSFORMER 150VA 0-230V 50/60HZ TOROID.
0008	082785	POWER SUPPLY BOARD FOR "POWER-LED"
0009	082636	CHAIN BOARD SPIRALI
0010	300434	XTD22 2P DOOR MICROSWITCH
0012	400130	SERVICE KEY FOR SAFTY SWITCH
0013	401239	FEEDER PANEL CONNECTOR COVER
0014	310375	12V 1,5A SWITCHING POWR SUPPLY

ACCESSORIES



0001	855394	WALL FIXING BRACKETS
0002	850304	DISPENSING BOTTLE BAR SIZE (L)
0002	855473	KIT SANDWICH/MILK TRAY 1050
0002	855478	BOTTLE TILTER KIT (1050)
0002	855488	CAN DELIVERY KIT FOR FASTER UP 1050
0003	855458	KIT SHELVES DISPLAY POWER BOARD
0003	855460	KIT 1 x SHELF DISPLAY BAR 1050
0004	855455	KIT DEEPER DEL. POCKET 1050
0005	855476	KIT COIN BOX LOCK S&F
0006	ZZZZ02	NOT PRESENT CODE IN THIS MODEL
0007	855472	KIT ANTI-VANDALIC COIN INSERT BLACK
0007	855475	KIT ANTI-VANDALIC COIN INSERT SILVER
0007	855481	KIT EASYKEYBOARD
0008	855136	EVA DTS IRDA KIT
0008	855140	COIN VALIDATOR INTERFACE KIT
0008	855376	RS232/RS485/DEX-UCS INTERFACE
0008	855436	KIT MASTER/SLAVE EXECUTIVE OMNIA
0008	855440	USB FLASH KEY/KEY PROGRAMMER
0008	855451	MECHANICAL COUNTER WIN/FAST/FASTER